

# GGD01 Series



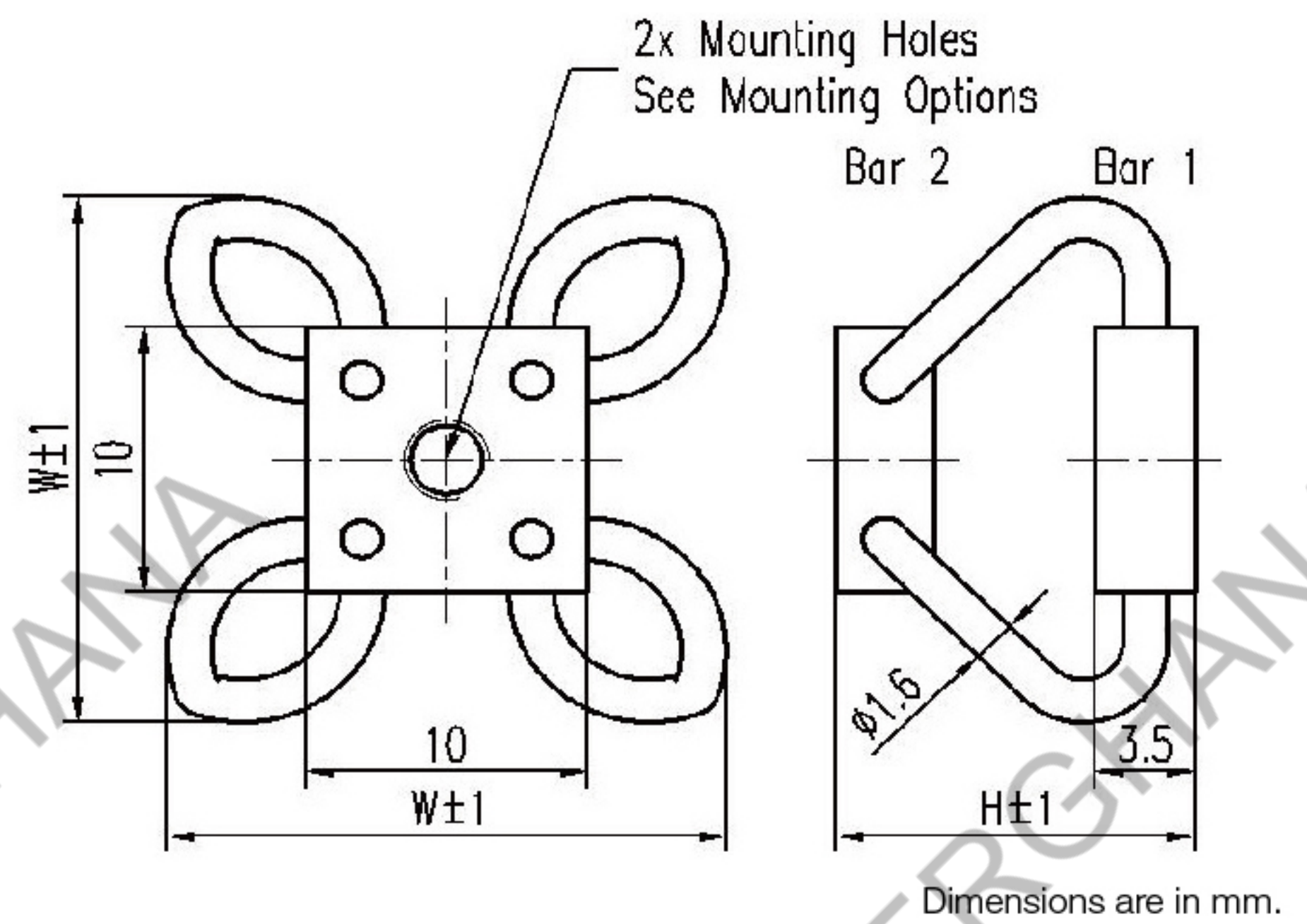
- ◆ All-metal multidirectional anti-vibration/shock mounts.
- ◆ Excellent reliability and long lifespan.
- ◆ High damping.
- ◆ Corrosion resistant.
- ◆ Wide temperature range: -180°C~+300°C.
- ◆ Great adaptability/versatility.
- ◆ Customized design can be done.

## Materials

Cable: Stainless steel.  
 Retainer bars: Aluminum alloy (Anodized or Alodine).  
 Other materials on request.

Model	Height (mm)	Width (mm)	Weight (g)
GGD1.6-11.2/17.8/4L	11.2	17.8	2.8
GGD1.6-12.7/19.8/4L	12.7	19.8	2.9
GGD1.6-15.7/21.3/4L	15.7	21.3	3.1

## Model Description



Mounting Options			
Mounting Holes	Bar 1		Note: Standard Mounting: MM
	M3	Ø3.5	
Bar 2	M3	MM	
	Ø3.5	MB	BB

## Order Example

GGD1.6-11.2 / 17.8 / 4 L / MB



- Mounting Option: MM is default option.
- Retainer Bars Material: Aluminum Alloy (Stainless Steel is available).
- Number of Cable Loops: 4
- Width: 17.8mm
- Height: 11.2mm
- Wire Rope Diameter: 1.6mm
- Group: GGD