

GGD02 Series



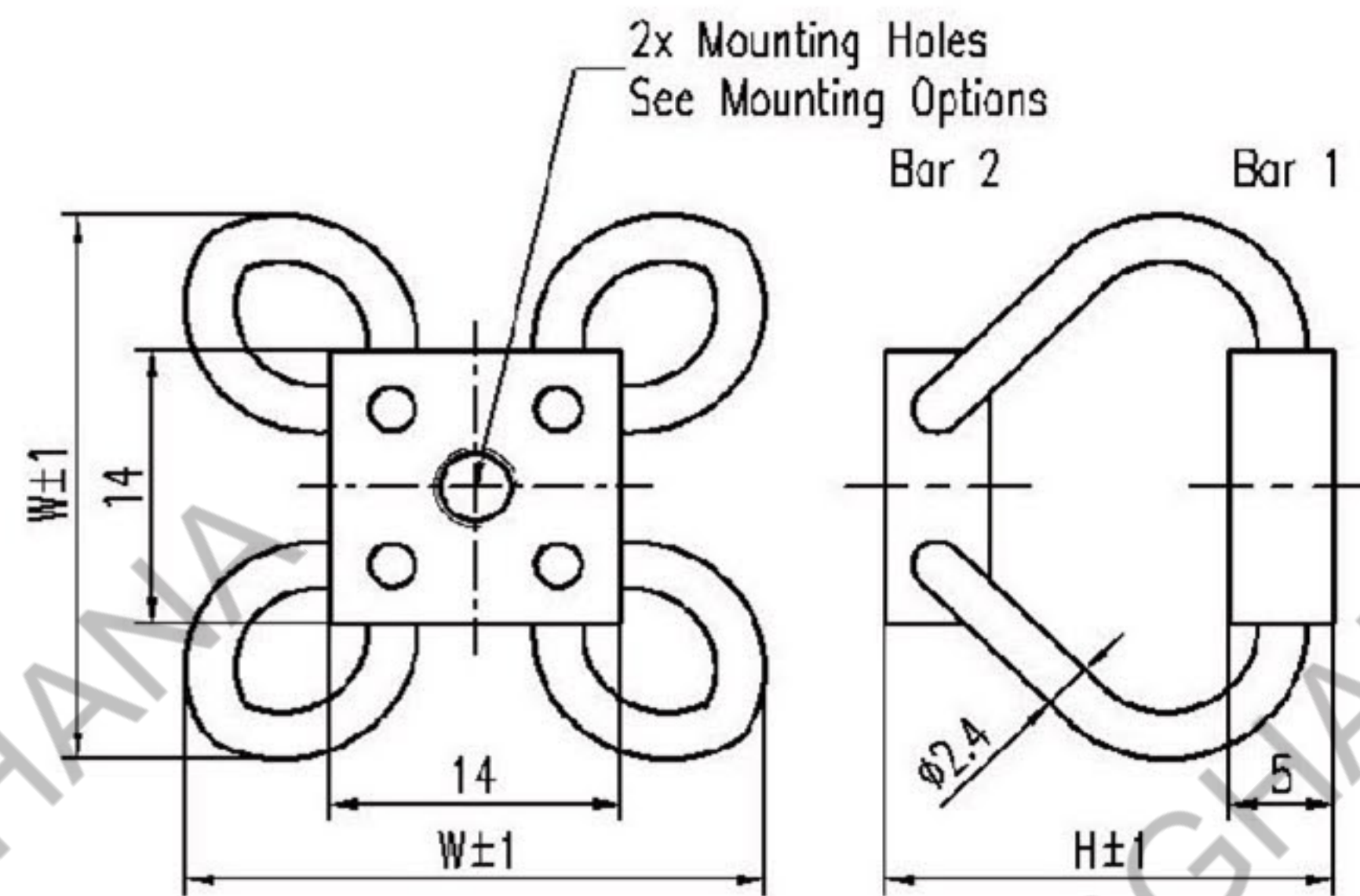
- ◆ All-metal multidirectional anti-vibration/shock mounts.
- ◆ Excellent reliability and long lifespan.
- ◆ High damping.
- ◆ Corrosion resistant.
- ◆ Wide temperature range: -180°C~+300°C.
- ◆ Great adaptability/versatility.
- ◆ Customized design can be done.

Materials

Cable: Stainless steel.
 Retainer bars: Aluminum alloy (Anodized or Alodine).
 Other materials on request.

Model	Height (mm)	Width (mm)	Weight (g)
GGD2.4-17.8/25.4/4L	17.8	25.4	8
GGD2.4-21.6/27.9/4L	21.6	27.9	9
GGD2.4-25.4/31.8/4L	25.4	31.8	10

Model Description

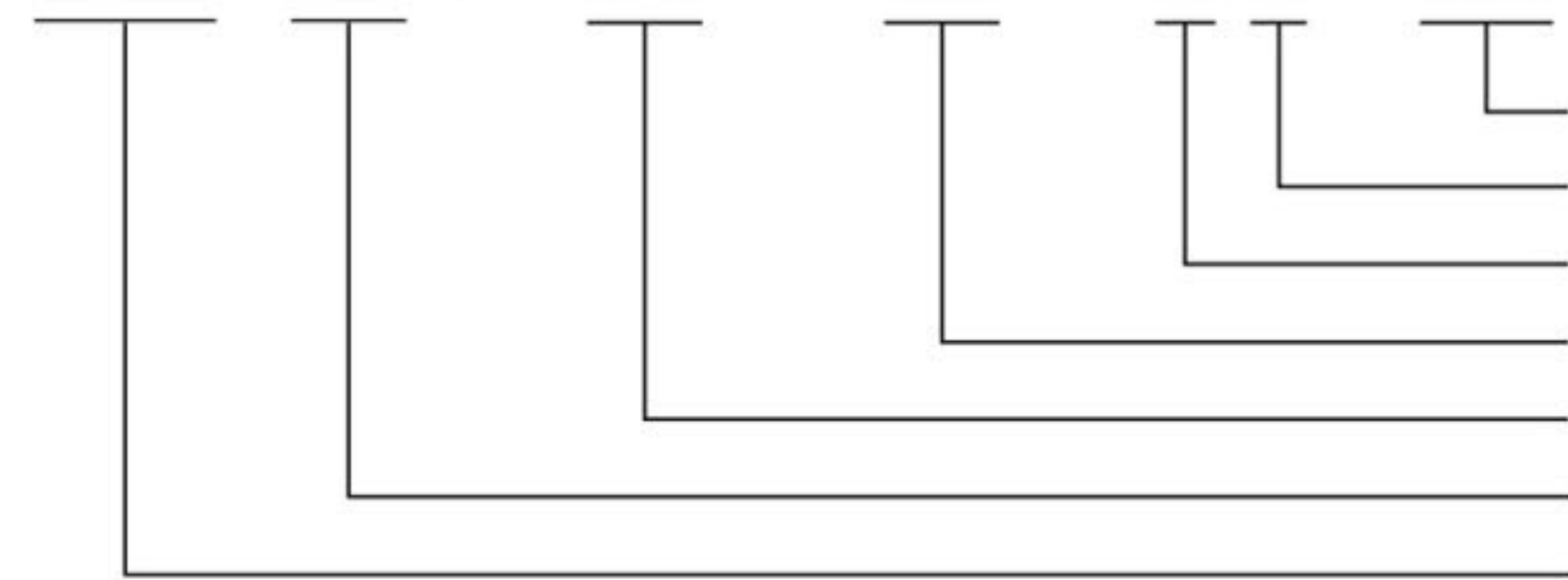


Dimensions are in mm.

Mounting Options			
Mounting Holes	Bar 1		Note: Standard Mounting: MM
	M4	Ø4.5	
Bar 2	M4	MM	
	Ø4.5	MB	BB

Order Example

GGD 2.4 / 17.8 / 25.4 / 4 L / MB



- Mounting Option: MM is default option.
- Retainer Bars Material: Aluminum Alloy (Stainless Steel is available).
- Number of Cable Loops: 4
- Width: 25.4mm
- Height: 17.8mm
- Wire Rope Diameter: 2.4mm
- Group: GGD