

GGD03 Series



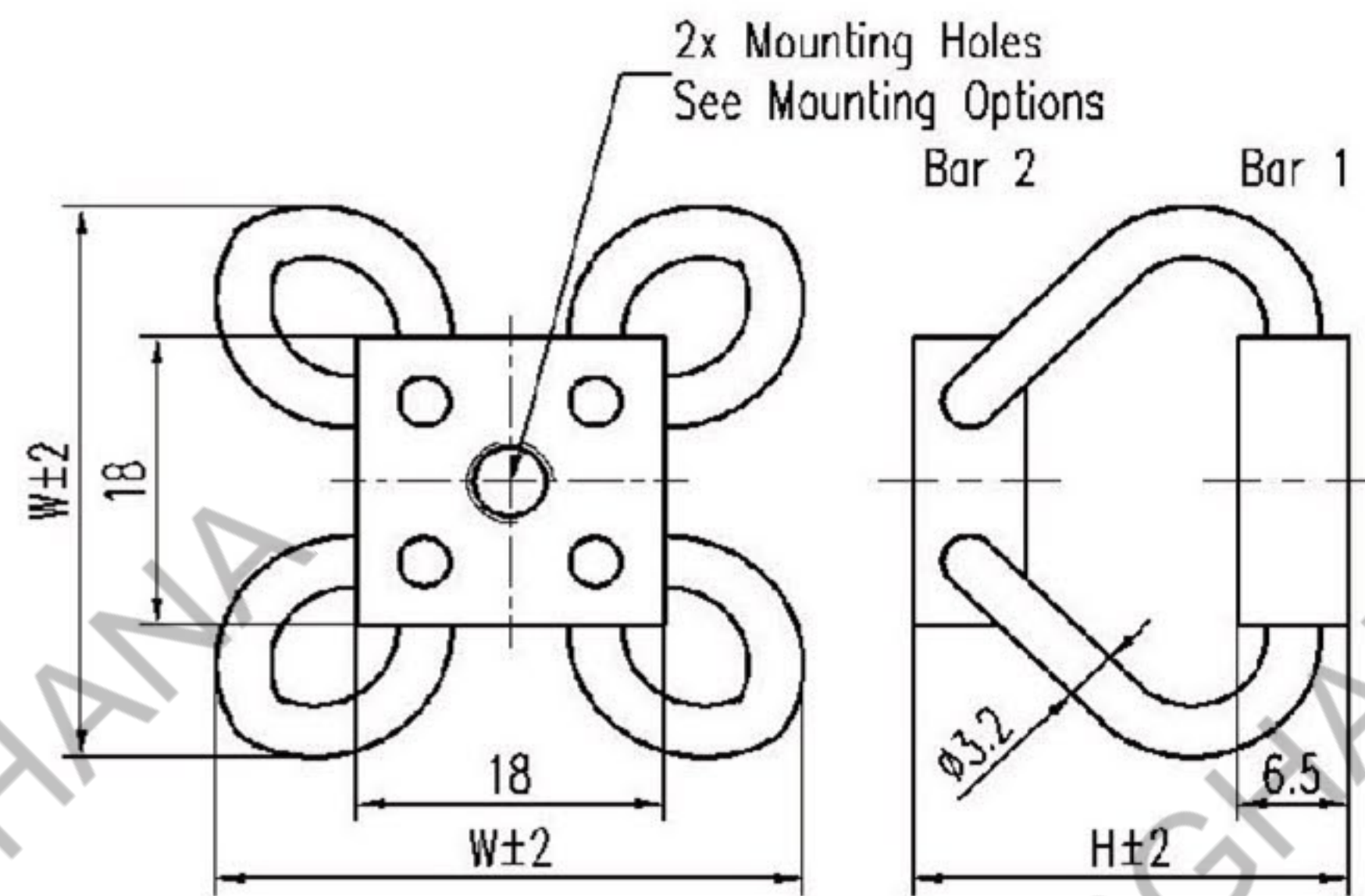
- ◆ All-metal multidirectional anti-vibration/shock mounts.
- ◆ Excellent reliability and long lifespan.
- ◆ High damping.
- ◆ Corrosion resistant.
- ◆ Wide temperature range: -180°C~+300°C.
- ◆ Great adaptability/versatility.
- ◆ Customized design can be done.

Materials

Cable: Stainless steel.
 Retainer bars: Aluminum alloy (Anodized or Alodine).
 Other materials on request.

Model	Height (mm)	Width (mm)	Weight (g)
GGD3.2-22.9/31.8/4L	22.9	31.8	16
GGD3.2-25.4/34.3/4L	25.4	34.3	17
GGD3.2-27.9/38.1/4L	27.9	38.1	19

Model Description

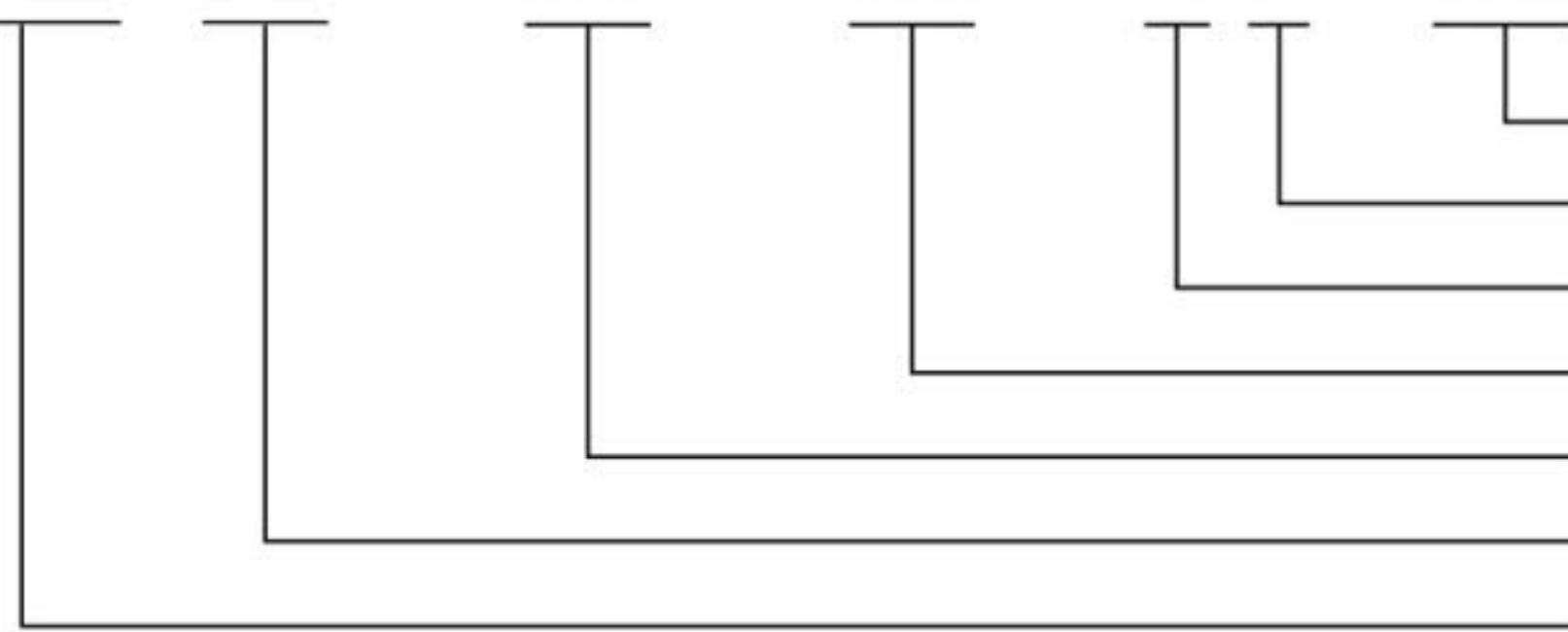


Dimensions are in mm.

Mounting Options			
Mounting Holes	Bar 1		Note: Standard Mounting: MM
	M5	φ5.5	
Bar 2	M5	MM	
	φ5.5	MB	BB

Order Example

GGD 3.2 - 22.9 / 31.8 / 4 L / MB



- Mounting Option: MM is default option.
- Retainer Bars Material: Aluminum Alloy (Stainless Steel is available).
- Number of Cable Loops: 4
- Width: 31.8mm
- Height: 22.9mm
- Wire Rope Diameter: 3.2mm
- Group: GGD