

GGT05 Series



- ◆ All-metal multidirectional anti-vibration/shock mounts.
- ◆ Excellent reliability and long lifespan.
- ◆ High damping.
- ◆ Corrosion resistant.
- ◆ Wide temperature range: $-180^{\circ}\text{C} \sim +300^{\circ}\text{C}$.
- ◆ Great adaptability/versatility.
- ◆ Customized design can be done.

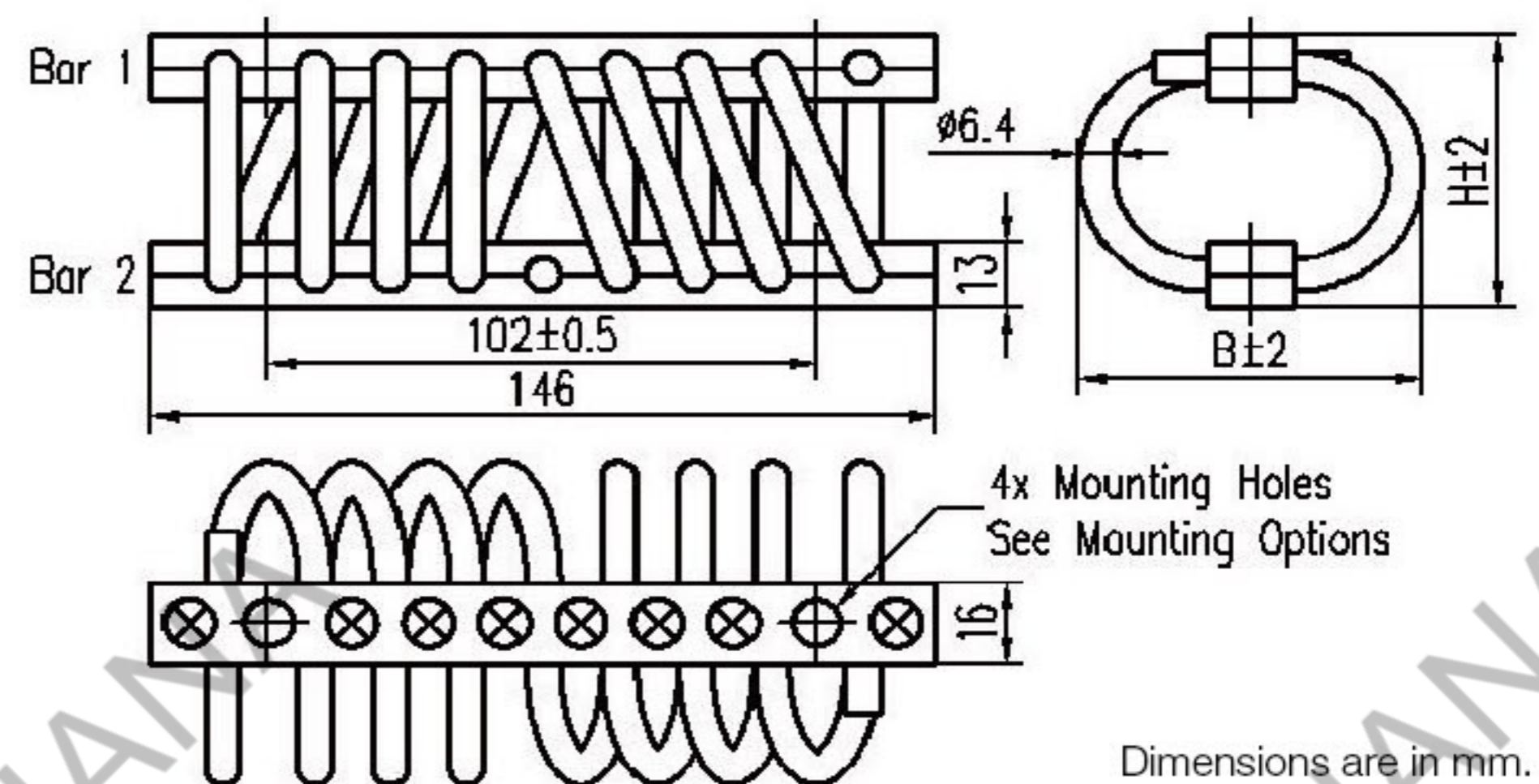
Materials

Cable: Stainless steel.

Retainer bars: Aluminum alloy (Anodized or Alodine).

Other materials on request.

Model Description

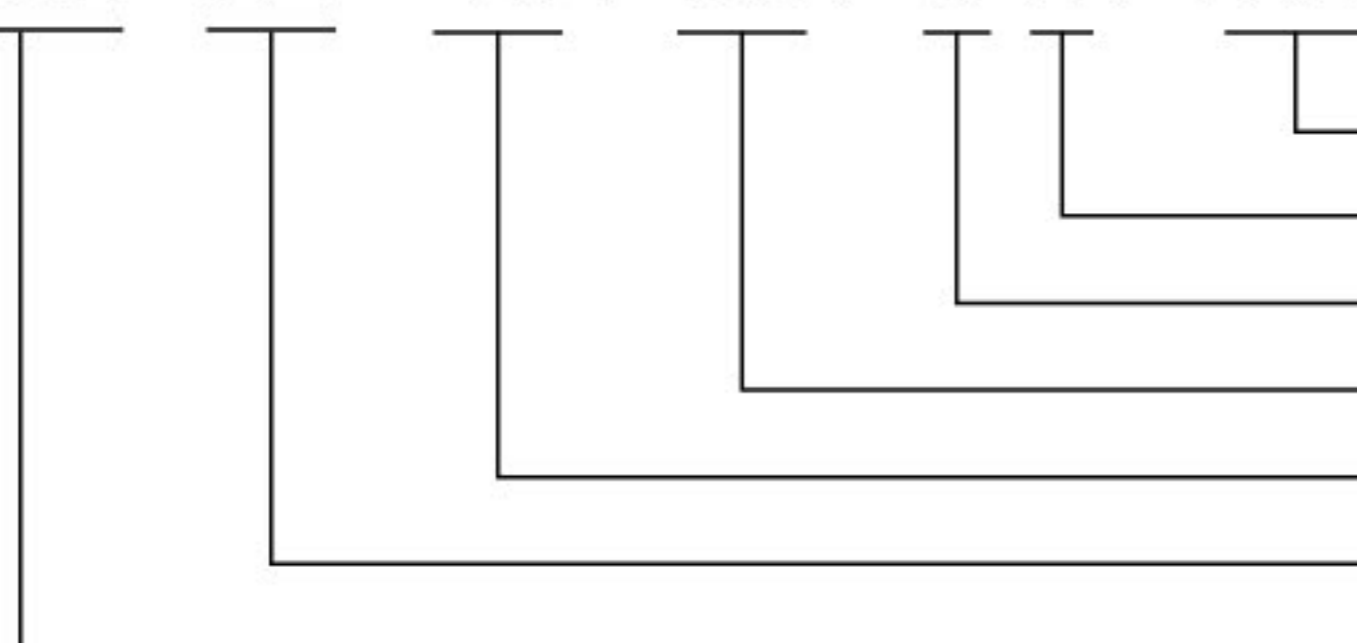


Model	Height (mm)	Width (mm)	Weight (kg)
GGT6.4-48/56/8L	48	56	0.36
GGT6.4-54/64/8L	54	64	0.39
GGT6.4-59/71/8L	59	71	0.39
GGT6.4-64/80/8L	64	80	0.42
GGT6.4-65/89/8L	65	89	0.44
GGT6.4-67/95/8L	67	95	0.46
GGT6.4-67/100/8L	67	100	0.48
GGT6.4-83/108/8L	83	108	0.57

Mounting Options			
Mounting Holes	Bar 1		Note: Standard Mounting: MM
	2xM8	2xφ9	
Bar 2	2xM8	MM	
	2xφ9	MB	BB

Order Example

GGT 6.4- 48 / 56 / 8 L / MB



- Mounting Option: MM is default option.
- Retainer Bars Material: Aluminum Alloy (Stainless Steel is available).
- Number of Cable Loops: 8
- Width: 56mm
- Height: 48mm
- Wire Rope Diameter: 6.4mm
- Group: GGT