

# GGT06 Series

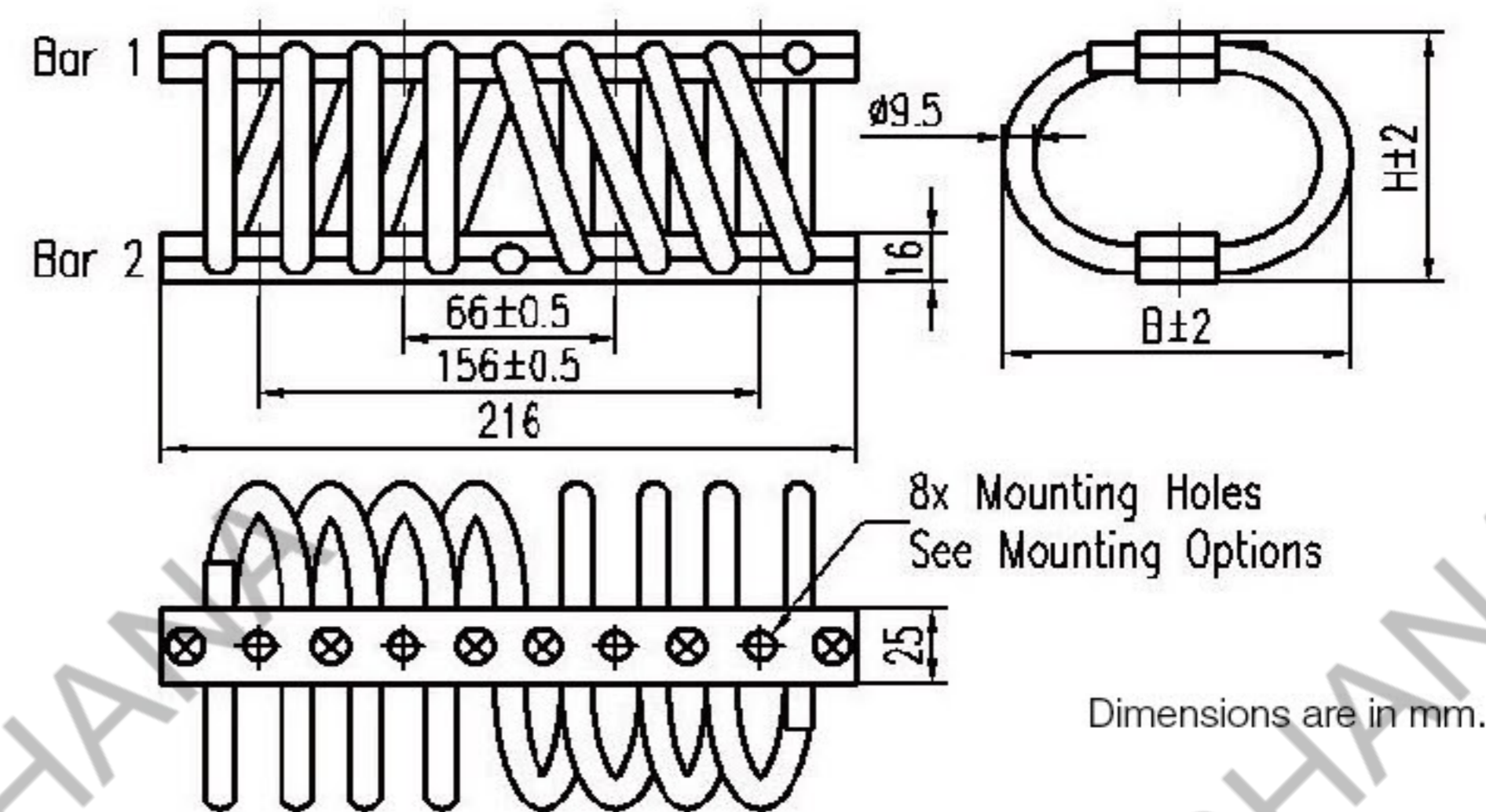


- ◆ All-metal multidirectional anti-vibration/shock mounts.
- ◆ Excellent reliability and long lifespan.
- ◆ High damping.
- ◆ Corrosion resistant.
- ◆ Wide temperature range:  $-180^{\circ}\text{C} \sim +300^{\circ}\text{C}$ .
- ◆ Great adaptability/versatility.
- ◆ Customized design can be done.

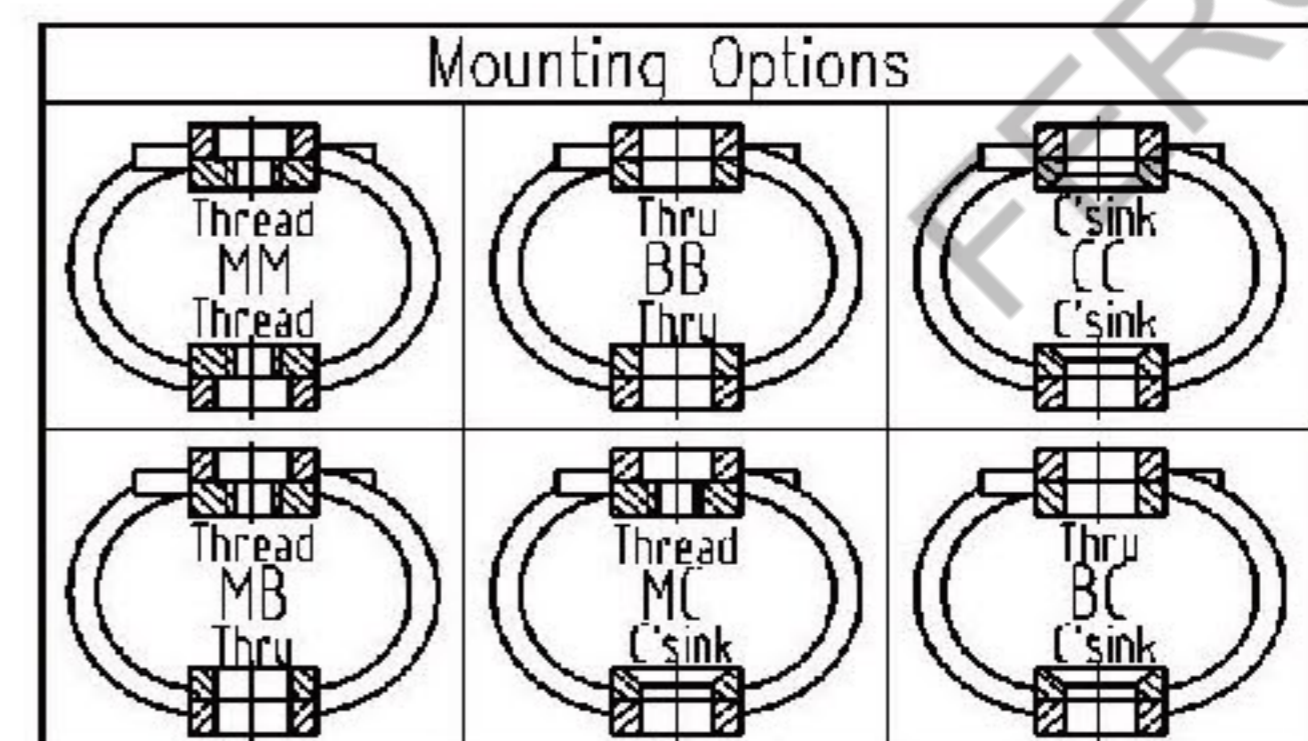
## Materials

Cable: Stainless steel.  
Retainer bars: Aluminum alloy (Anodized or Alodine).  
Other materials on request.

## Model Description



Model	Height (mm)	Width (mm)	Weight (kg)
GGT9.5-71/84/8L	71	84	1.1
GGT9.5-75/90/8L	75	90	1.1
GGT9.5-76/105/8L	76	105	1.1
GGT9.5-83/108/8L	83	108	1.18
GGT9.5-89/110/8L	89	110	1.2
GGT9.5-105/121/8L	105	121	1.3
GGT9.5-110/141/8L	110	141	1.4
GGT9.5-130/150/8L	130	150	1.9

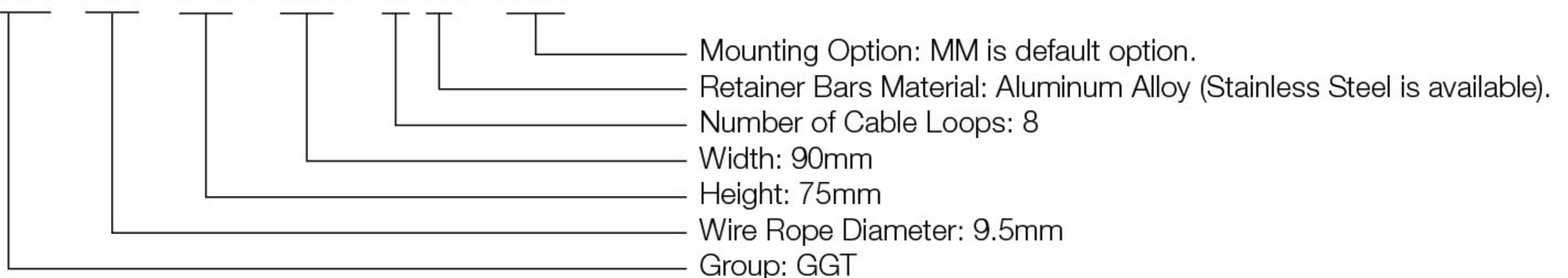


Mounting Holes		Bar 1		
		4xM8	4xφ9	4xφ9 φ18x90°
Bar 2	4xM8	MM		
	4xφ9	MB	BB	
	4xφ9 φ18x90°	MC	BC	CC

Note:  
Standard Mounting: MM

## Order Example

GGT 9.5 -75 / 90 / 8 L / MB



- Mounting Option: MM is default option.
- Retainer Bars Material: Aluminum Alloy (Stainless Steel is available).
- Number of Cable Loops: 8
- Width: 90mm
- Height: 75mm
- Wire Rope Diameter: 9.5mm
- Group: GGT