

GGT07 Series

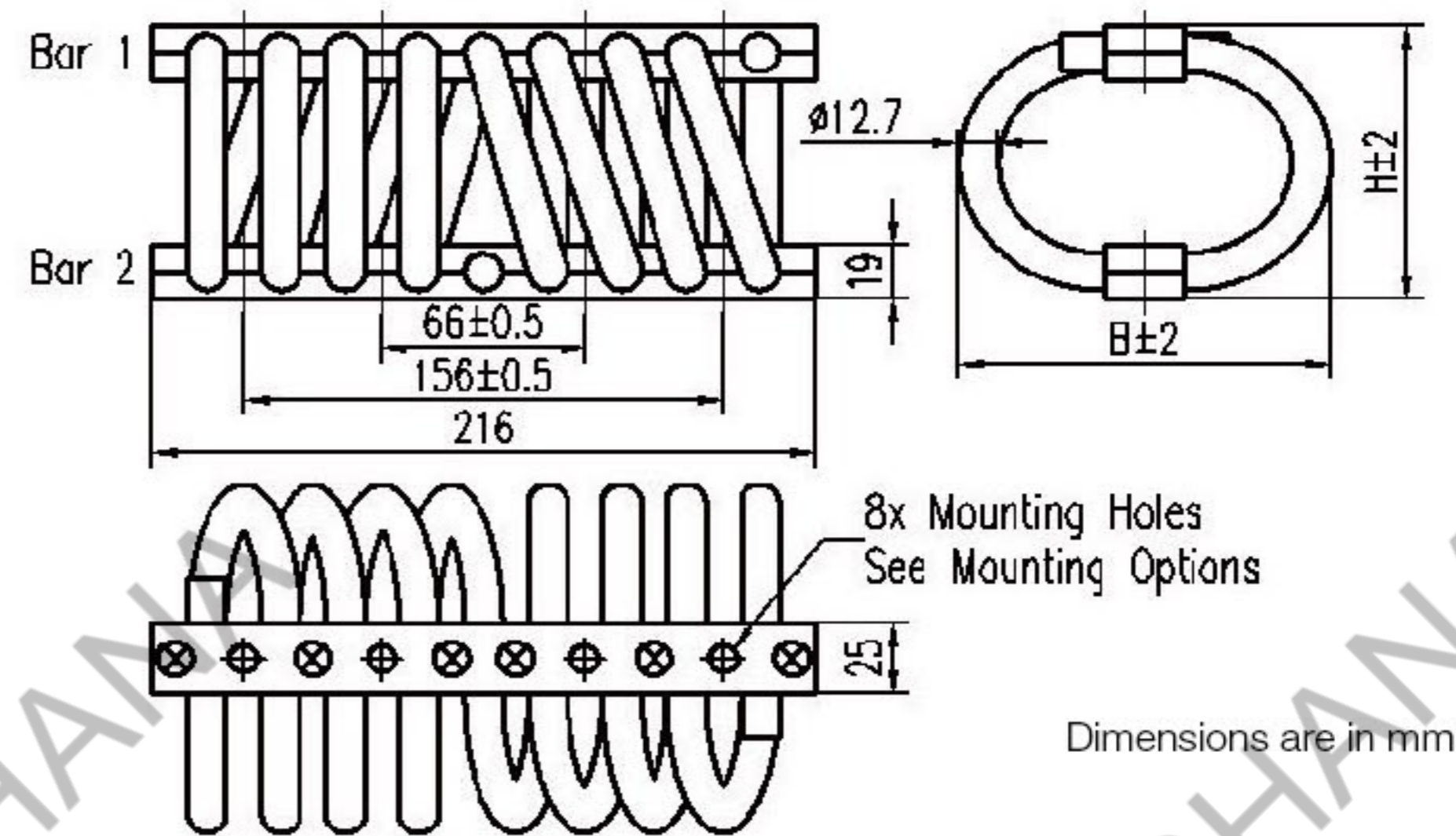


- ◆ All-metal multidirectional anti-vibration/shock mounts.
- ◆ Excellent reliability and long lifespan.
- ◆ High damping.
- ◆ Corrosion resistant.
- ◆ Wide temperature range: -180°C ~ +300°C.
- ◆ Great adaptability/versatility.
- ◆ Customized design can be done.

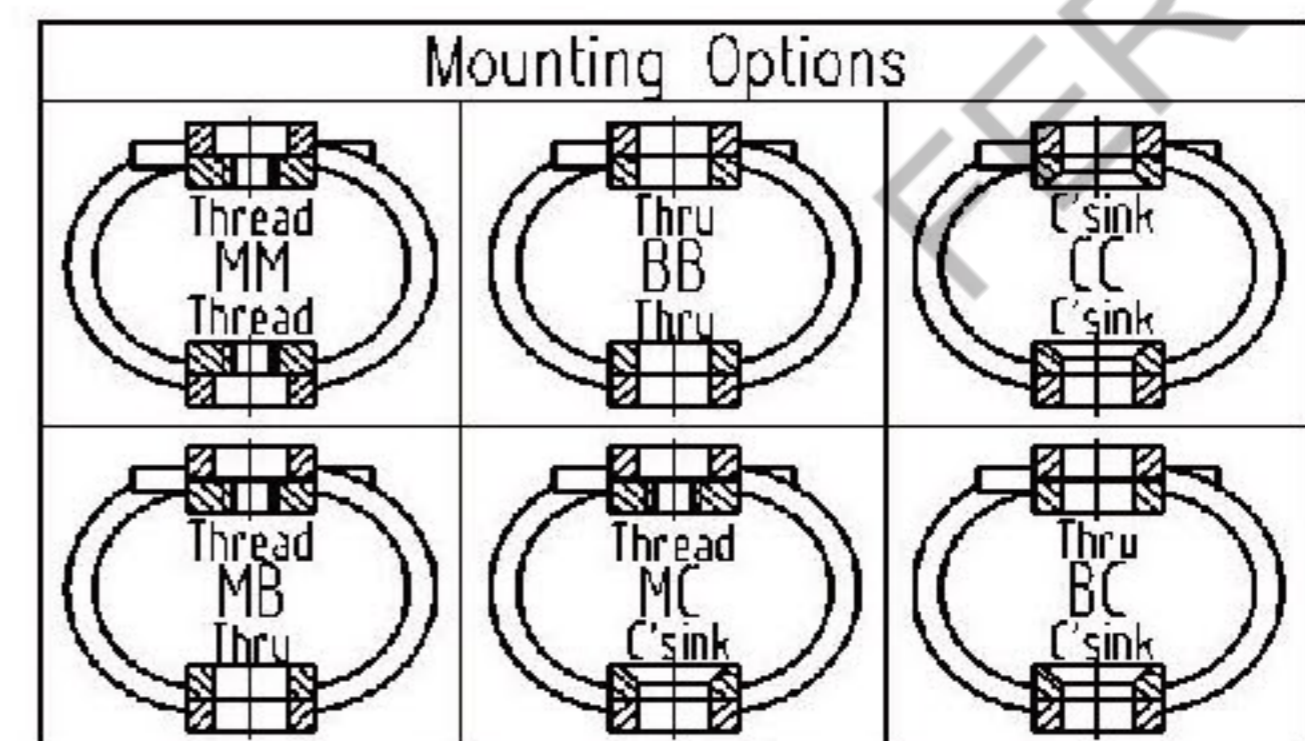
Materials

Cable: Stainless steel.
 Retainer bars: Aluminum alloy (Anodized or Alodine).
 Other materials on request.

Model Description



Model	Height (mm)	Width (mm)	Weight (kg)
GGT12.7-90/105/8L	90	105	1.8
GGT12.7-95/121/8L	95	121	1.8
GGT12.7-108/133/8L	108	133	2.2
GGT12.7-124/144/8L	124	144	2.5
GGT12.7-137/156/8L	137	156	2.6
GGT12.7-145/165/8L	145	165	2.7



Mounting Holes	Bar 1		
	4xM8	4xφ9	4xφ9 φ18x90°
Bar 2	4xM8	MM	
	4xφ9	MB	BB
	4xφ9 φ18x90°	MC	BC CC

Note:
Standard Mounting: MM

Order Example

GGT12.7-108 / 133 / 8 L / MB

