

GGT08 Series

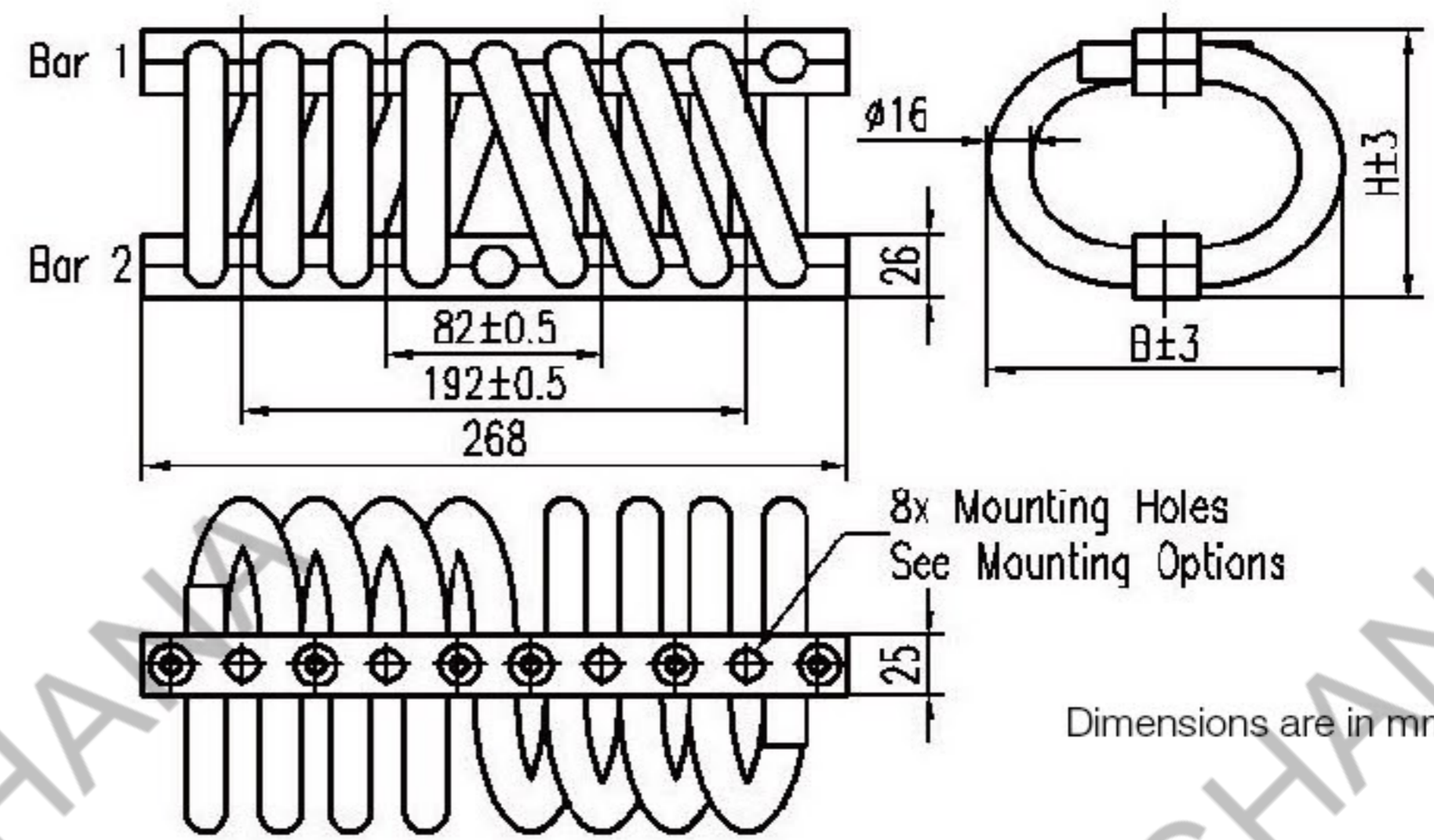


- ◆ All-metal multidirectional anti-vibration/shock mounts.
- ◆ Excellent reliability and long lifespan.
- ◆ High damping.
- ◆ Corrosion resistant.
- ◆ Wide temperature range: -180°C ~ +300°C.
- ◆ Great adaptability/versatility.
- ◆ Customized design can be done.

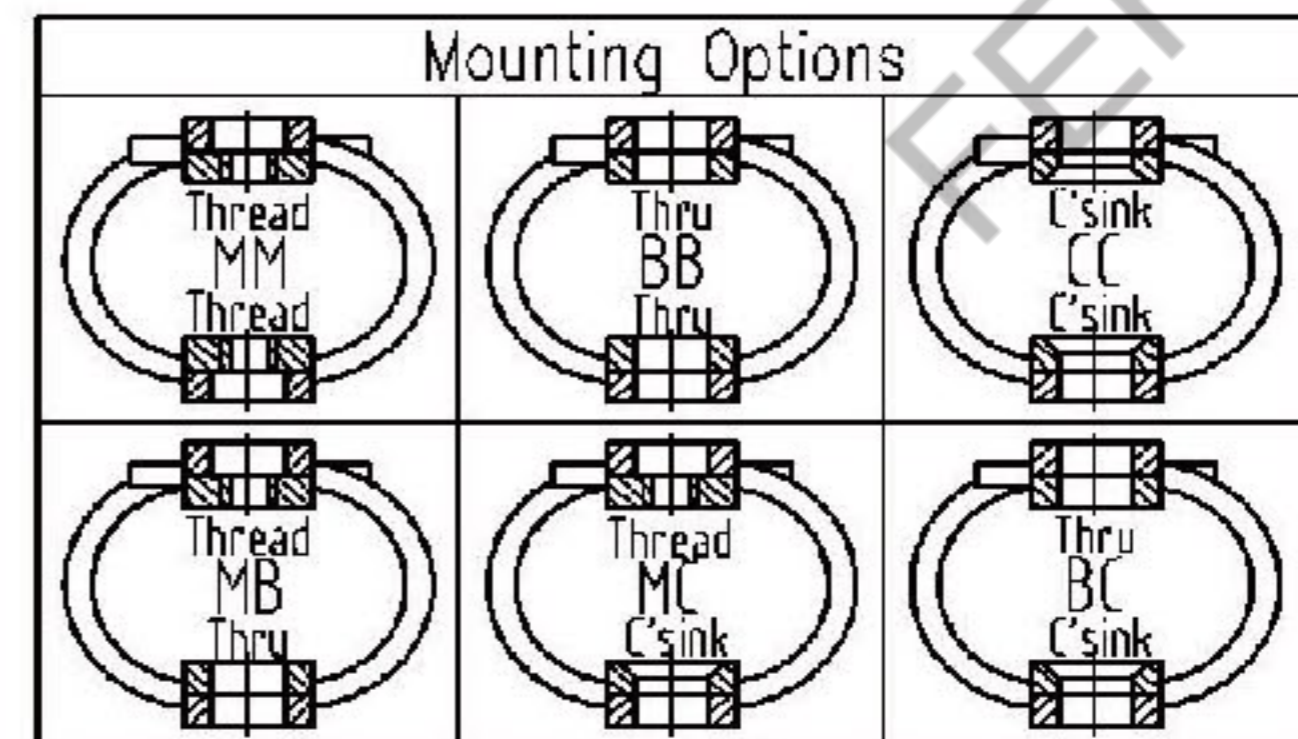
Materials

Cable: Stainless steel.
 Retainer bars: Aluminum alloy (Anodized or Alodine).
 Other materials on request.

Model Description



Model	Height (mm)	Width (mm)	Weight (kg)
GGT16.0-90/103/8L	90	103	2.8
GGT16.0-99/112/8L	99	112	3.1
GGT16.0-109/135/8L	109	135	3.5
GGT16.0-119/152/8L	119	152	4.2
GGT16.0-127/165/8L	127	165	4.3
GGT16.0-135/180/8L	135	180	4.6
GGT16.0-177/194/8L	177	194	5.4

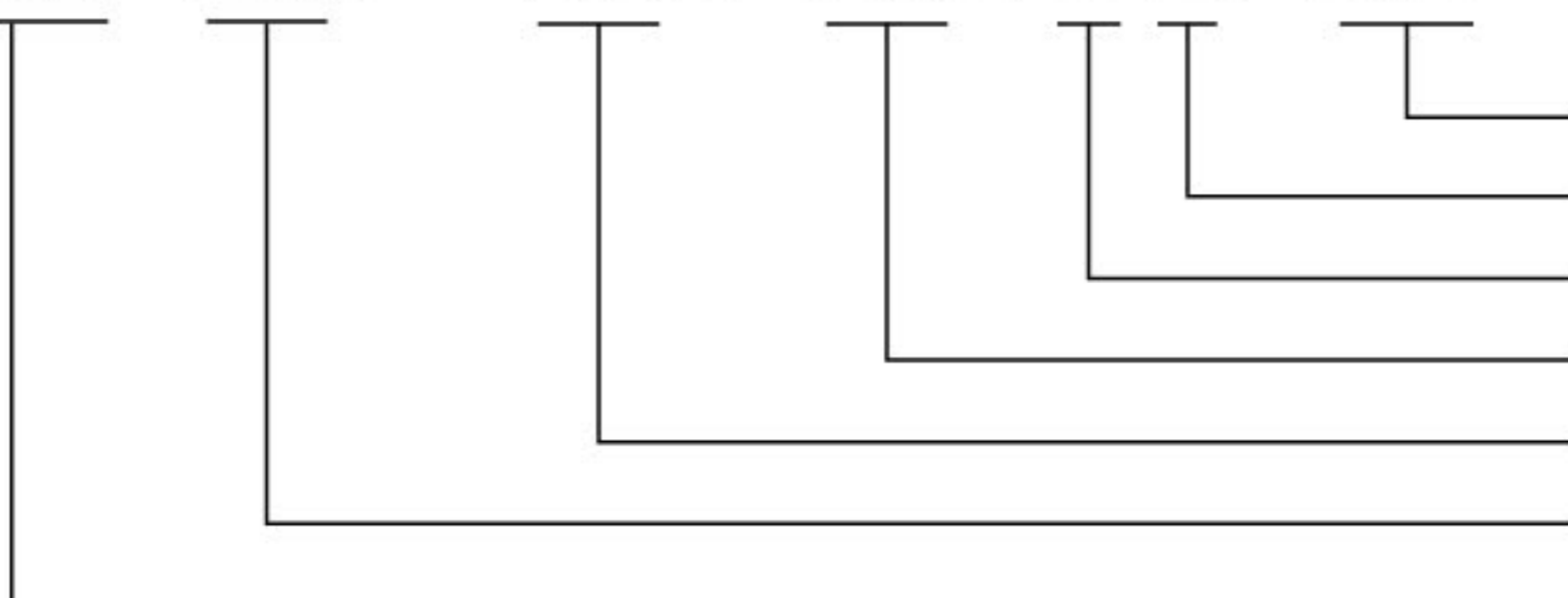


Mounting Holes	Bar 1		
	4xM10	4xφ11	4xφ11 φ21x90°
Bar 2	4xM10	MM	
	4xφ11	MB	BB
	4xφ11 φ21x90°	MC	BC CC

Note:
Standard Mounting: MM

Order Example

GGT 16.0 - 109 / 135 / 8 L / MB



Mounting Option: MM is default option.
 Retainer Bars Material: Aluminum Alloy (Stainless Steel is available).
 Number of Cable Loops: 8
 Width: 135mm
 Height: 109mm
 Wire Rope Diameter: 16mm
 Group: GGT