

GGT09 Series



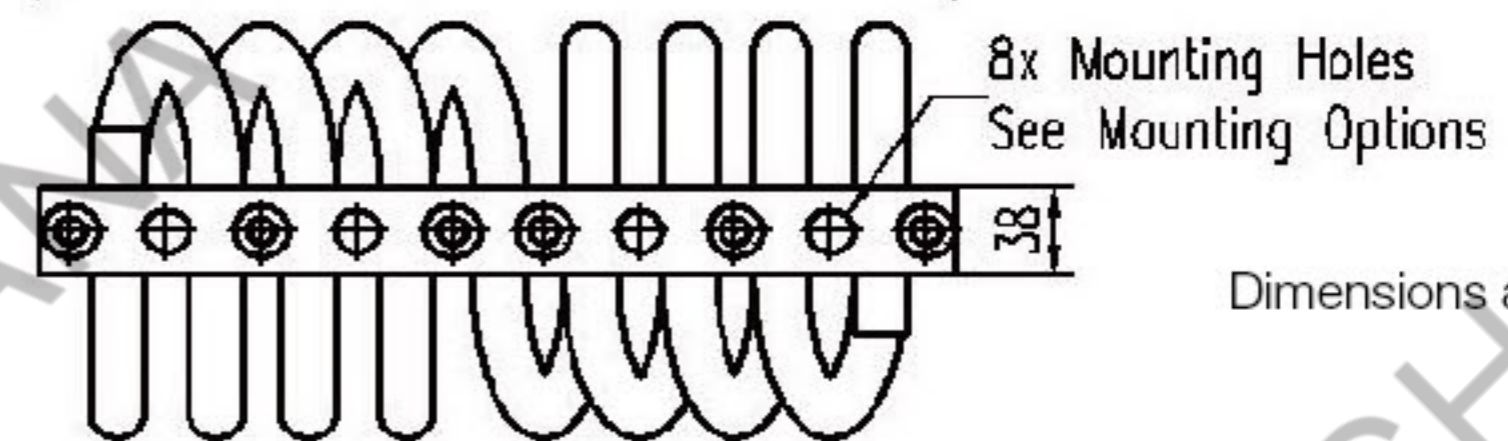
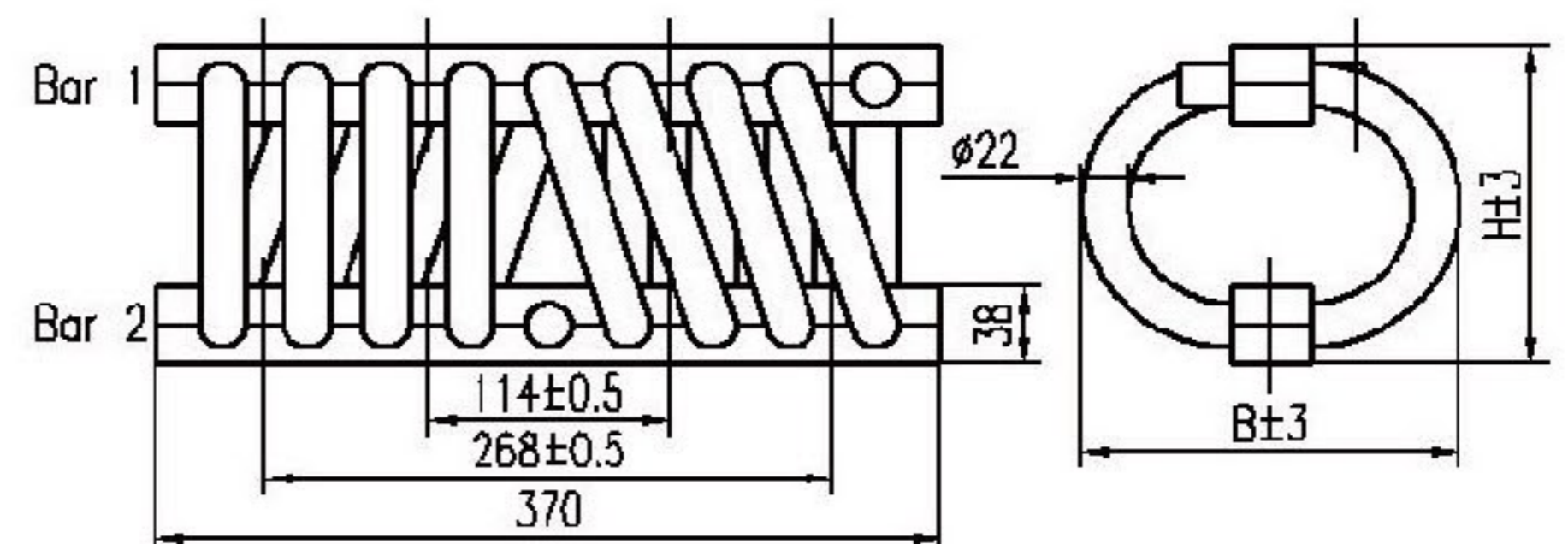
- ◆ All-metal multidirectional anti-vibration/shock mounts.
- ◆ Excellent reliability and long lifespan.
- ◆ High damping.
- ◆ Corrosion resistant.
- ◆ Wide temperature range: $-180^{\circ}\text{C} \sim +300^{\circ}\text{C}$.
- ◆ Great adaptability/versatility.
- ◆ Customized design can be done.

Materials

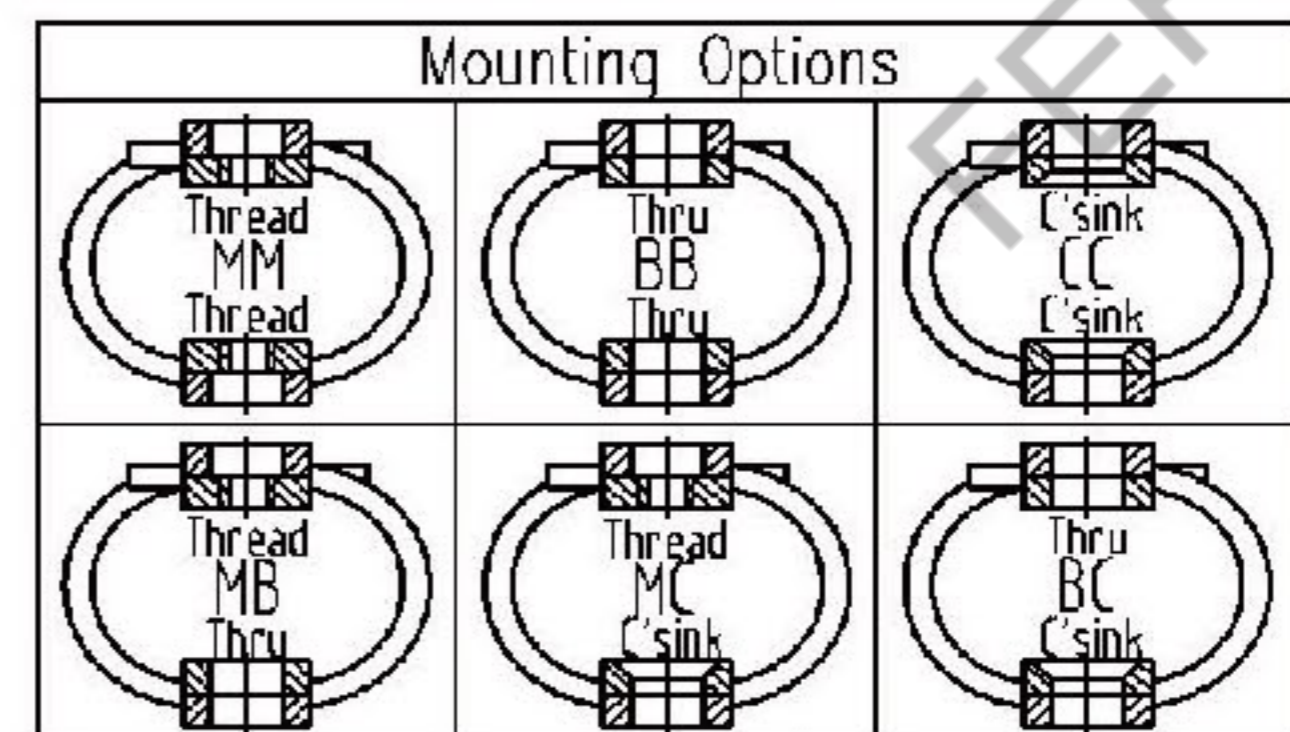
Cable: Stainless steel.
Retainer bars: Aluminum alloy (Anodized or Alodine).
Other materials on request.

Model	Height (mm)	Width (mm)	Weight (kg)
GGT22.0-133/140/8L	133	140	8
GGT22.0-152/165/8L	152	165	9
GGT22.0-159/178/8L	159	178	10
GGT22.0-191/210/8L	191	210	11
GGT22.0-216/235/8L	216	235	13

Model Description



Dimensions are in mm.

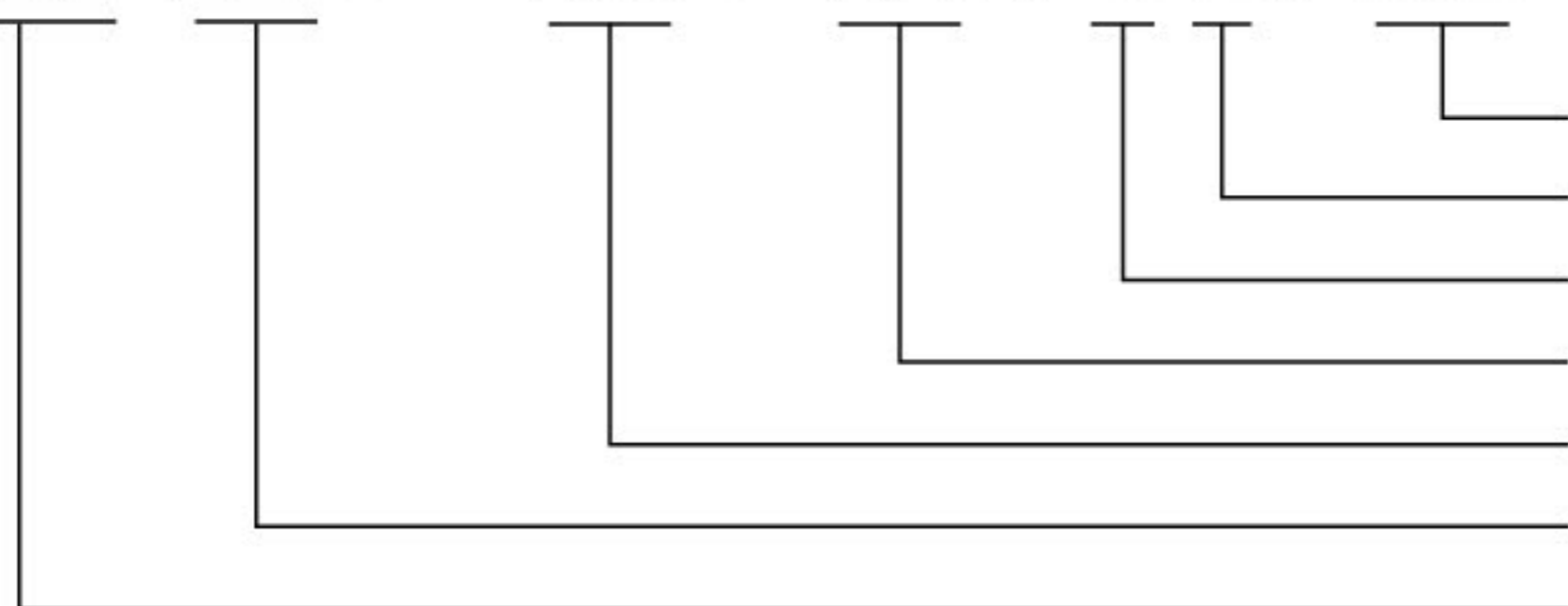


Mounting Holes	Bar 1		
	4xM16	4x $\phi 17$	4x $\phi 17$ $\phi 32.4 \times 90^{\circ}$
Bar 2	4xM16	MM	
	4x $\phi 17$	MB	BB
	4x $\phi 17$ $\phi 32.4 \times 90^{\circ}$	MC	BC
			CC

Note:
Standard Mounting: MM

Order Example

GGT 22.0 - 159 / 178 / 8 L / MB



- Mounting Option: MM is default option.
- Retainer Bars Material: Aluminum Alloy (Stainless Steel is available).
- Number of Cable Loops: 8
- Width: 178mm
- Height: 159mm
- Wire Rope Diameter: 22.0mm
- Group: GGT