

# GGT10 Series



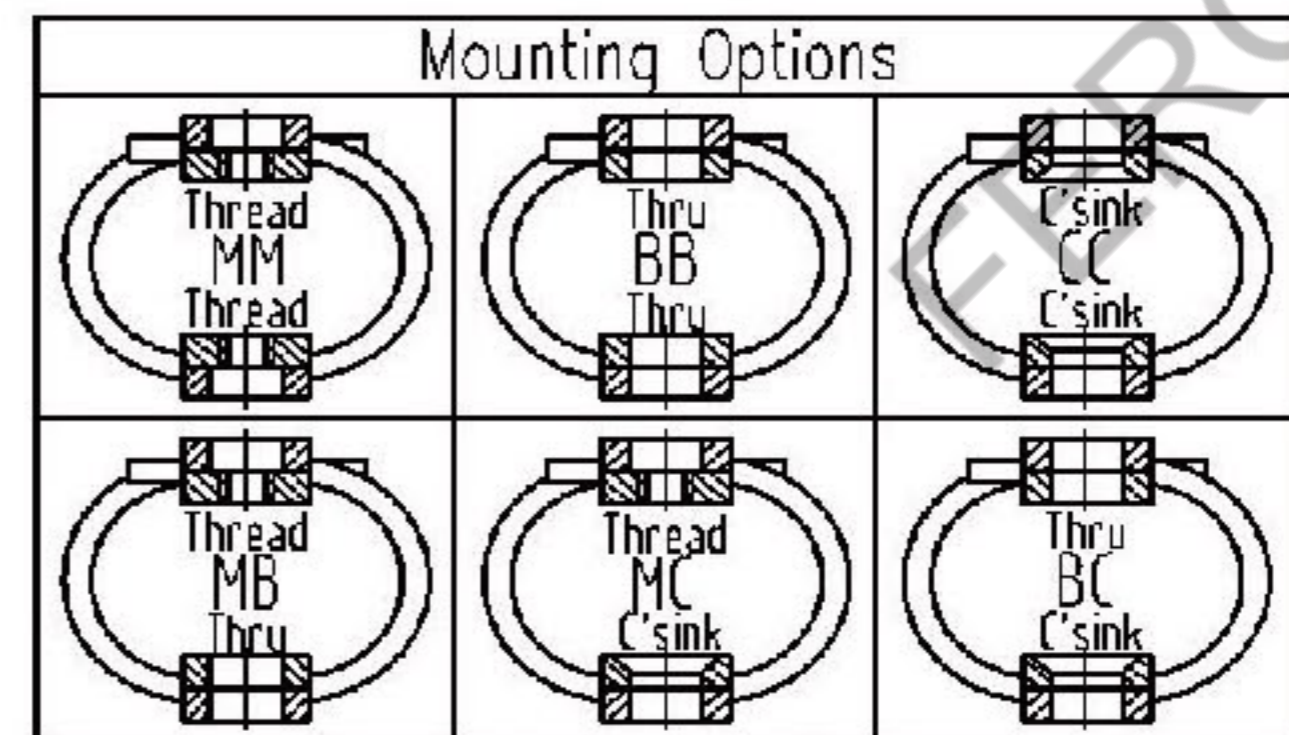
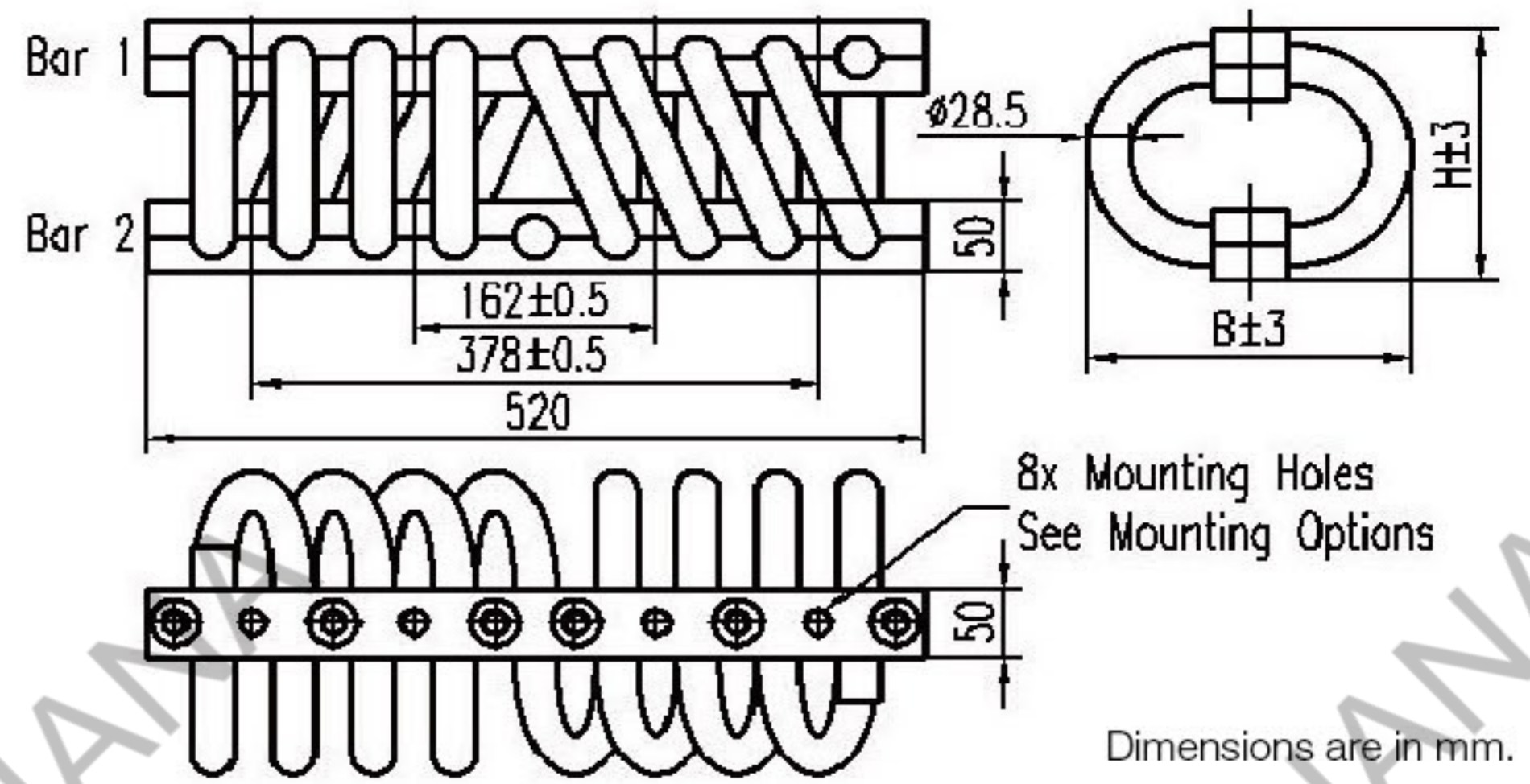
- ◆ All-metal multidirectional anti-vibration/shock mounts.
- ◆ Excellent reliability and long lifespan.
- ◆ High damping.
- ◆ Corrosion resistant.
- ◆ Wide temperature range: -180°C ~ +300°C.
- ◆ Great adaptability/versatility.
- ◆ Customized design can be done.

## Materials

Cable: Stainless steel.  
 Retainer bars: Aluminum alloy (Anodized or Alodine).  
 Other materials on request.

Model	Height (mm)	Width (mm)	Weight (kg)
GGT28.5-178/216/8L	178	216	19
GGT28.5-216/241/8L	216	241	21
GGT28.5-235/260/8L	235	260	23

## Model Description



Mounting Holes		Bar 1		
		4xM16	4xØ17.5	4xØ17.5 Ø32.4x90°
Bar 2	4xM16	MM		
	4xØ17.5	MB	BB	
	4xØ17.5 Ø32.4x90°	MC	BC	CC

Note:  
Standard Mounting: MM

## Order Example

GGT 28.5 - 178 / 216 / 8 L / MB

