

# GGT11 Series



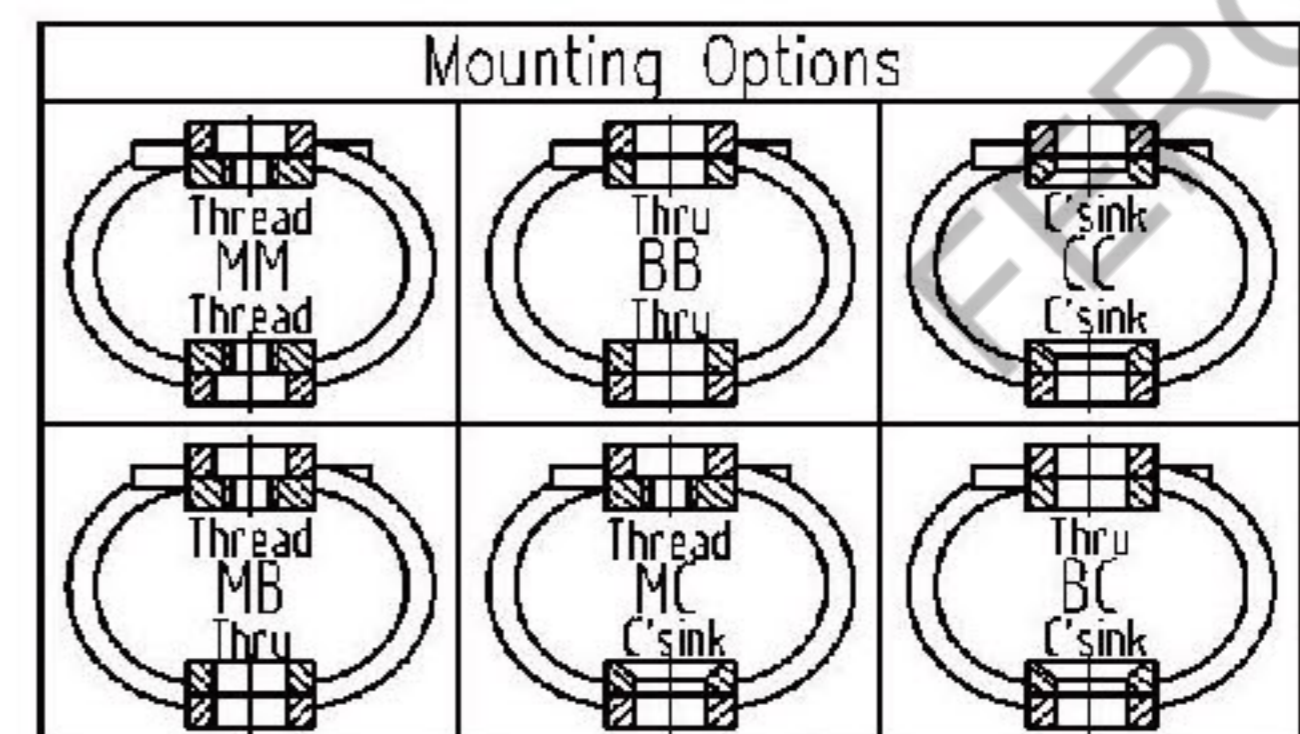
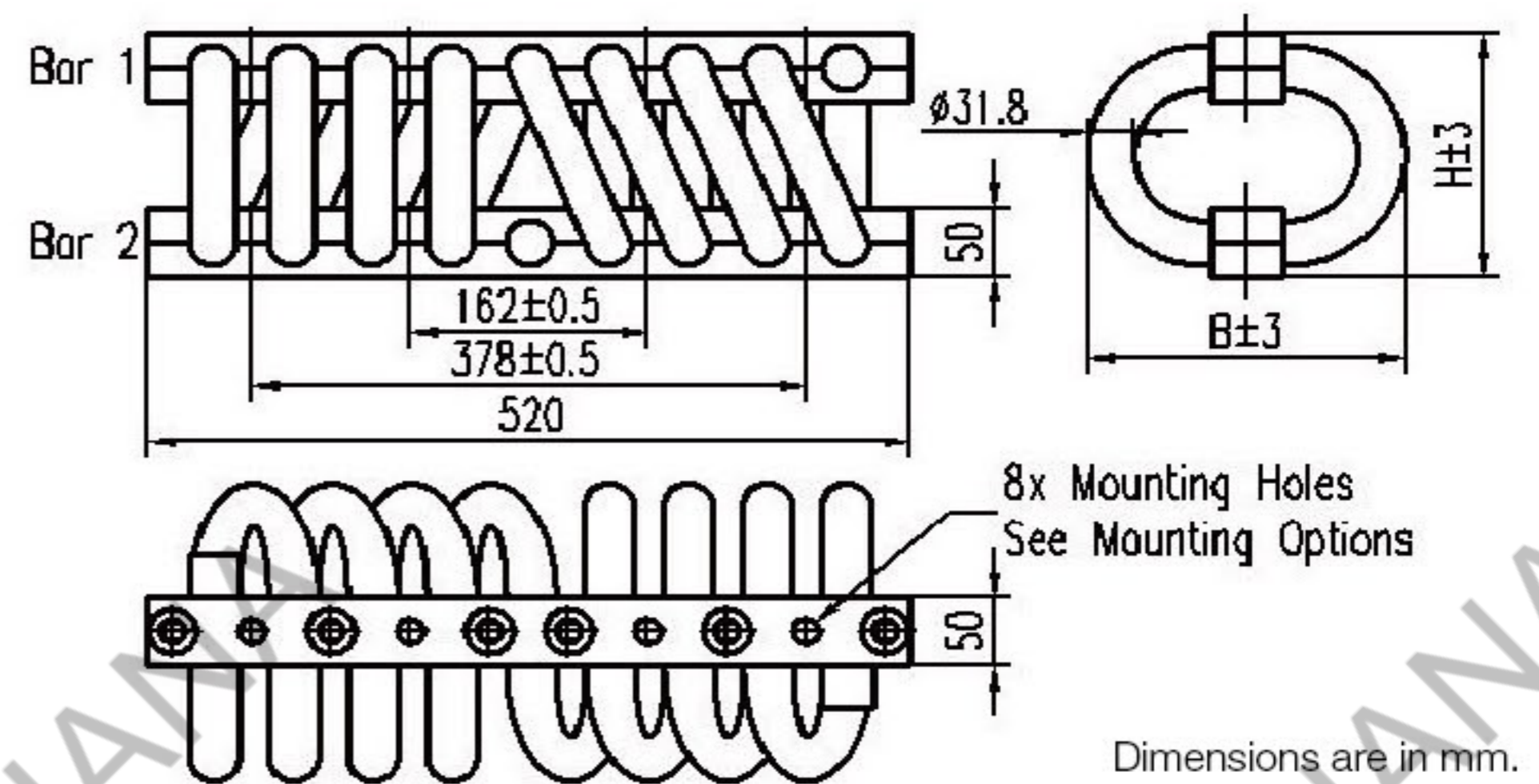
- ◆ All-metal multidirectional anti-vibration/shock mounts.
- ◆ Excellent reliability and long lifespan.
- ◆ High damping.
- ◆ Corrosion resistant.
- ◆ Wide temperature range:  $-180^{\circ}\text{C} \sim +300^{\circ}\text{C}$ .
- ◆ Great adaptability/versatility.
- ◆ Customized design can be done.

## Materials

Cable: Stainless steel.  
Retainer bars: Aluminum alloy (Anodized or Alodine).  
Other materials on request.

Model	Height (mm)	Width (mm)	Weight (kg)
GGT31.8-178/210/8L	178	210	22
GGT31.8-216/248/8L	216	248	25
GGT31.8-235/270/8L	235	270	27

## Model Description

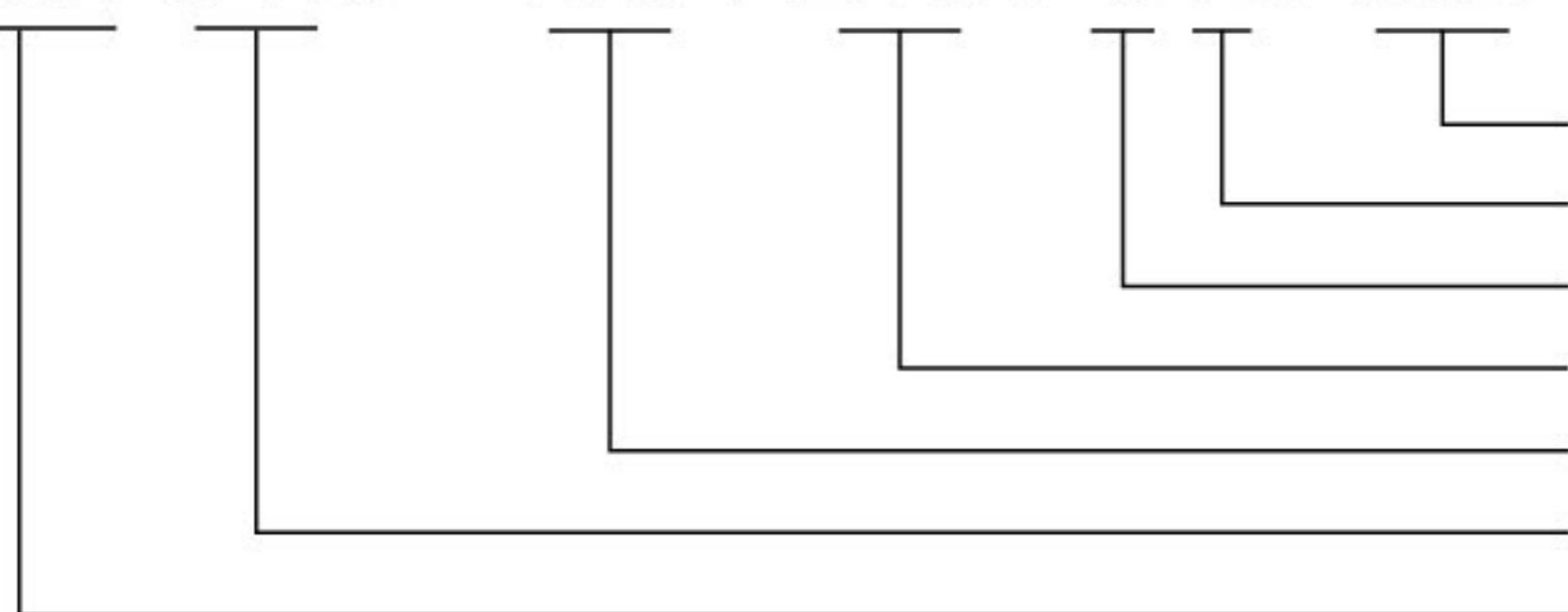


Mounting Holes	Bar 1		
	4xM16	4x $\phi 17.5$	4x $\phi 17.5$ $\phi 32.4 \times 90^{\circ}$
Bar 2	4xM16	MM	
	4x $\phi 17.5$	MB	BB
4x $\phi 17.5$ $\phi 32.4 \times 90^{\circ}$	MC	BC	CC

Note:  
Standard Mounting: MM

## Order Example

GGT 31.8 - 178 / 210 / 8 L / MB



- Mounting Option: MM is default option.
- Retainer Bars Material: Aluminum Alloy (Stainless Steel is available).
- Number of Cable Loops: 8
- Width: 210mm
- Height: 178mm
- Wire Rope Diameter: 31.8mm
- Group: GGT