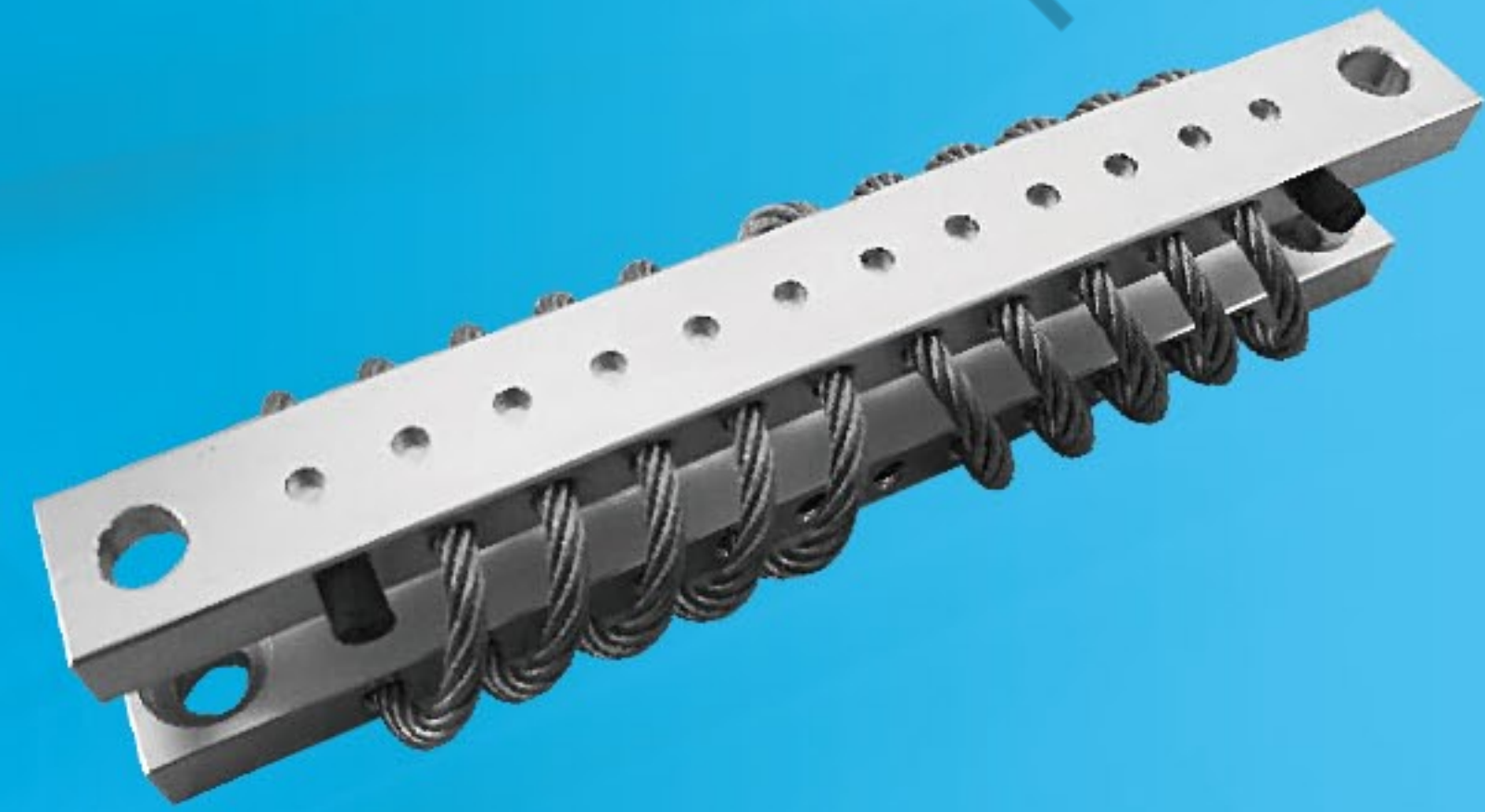


GGTC01 Series



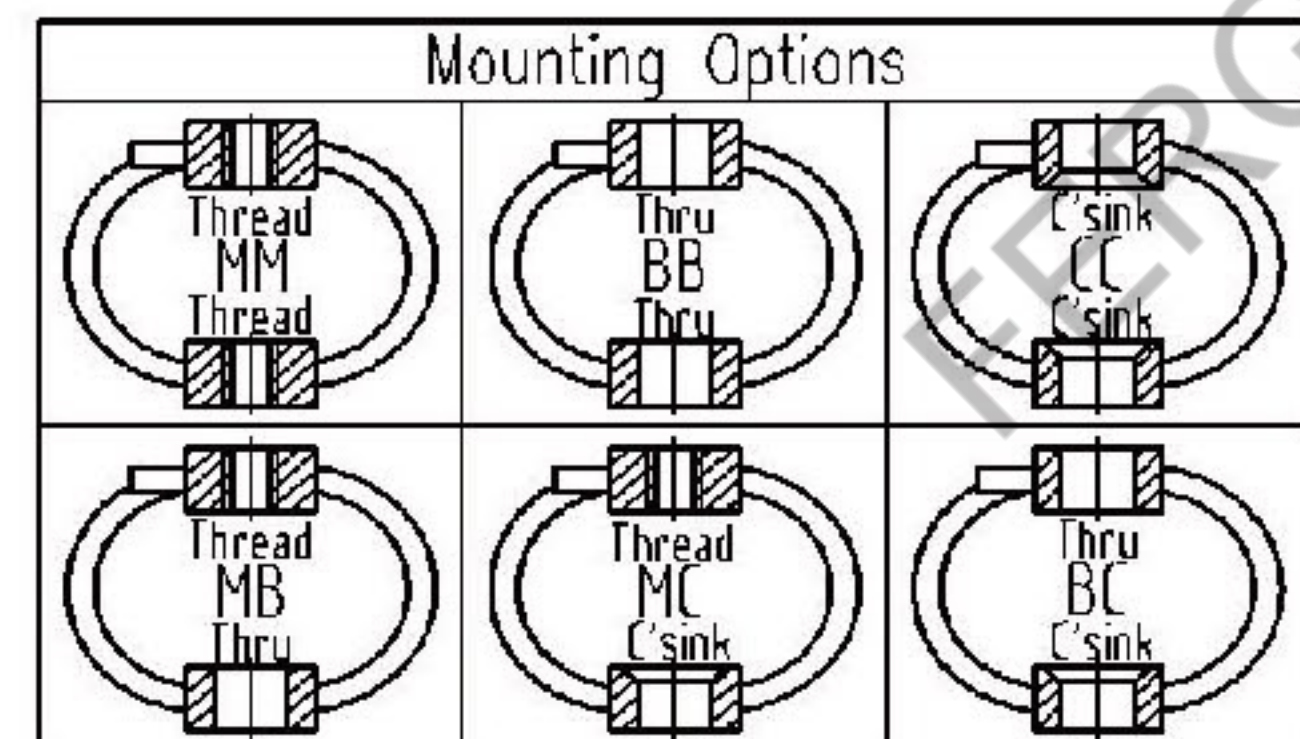
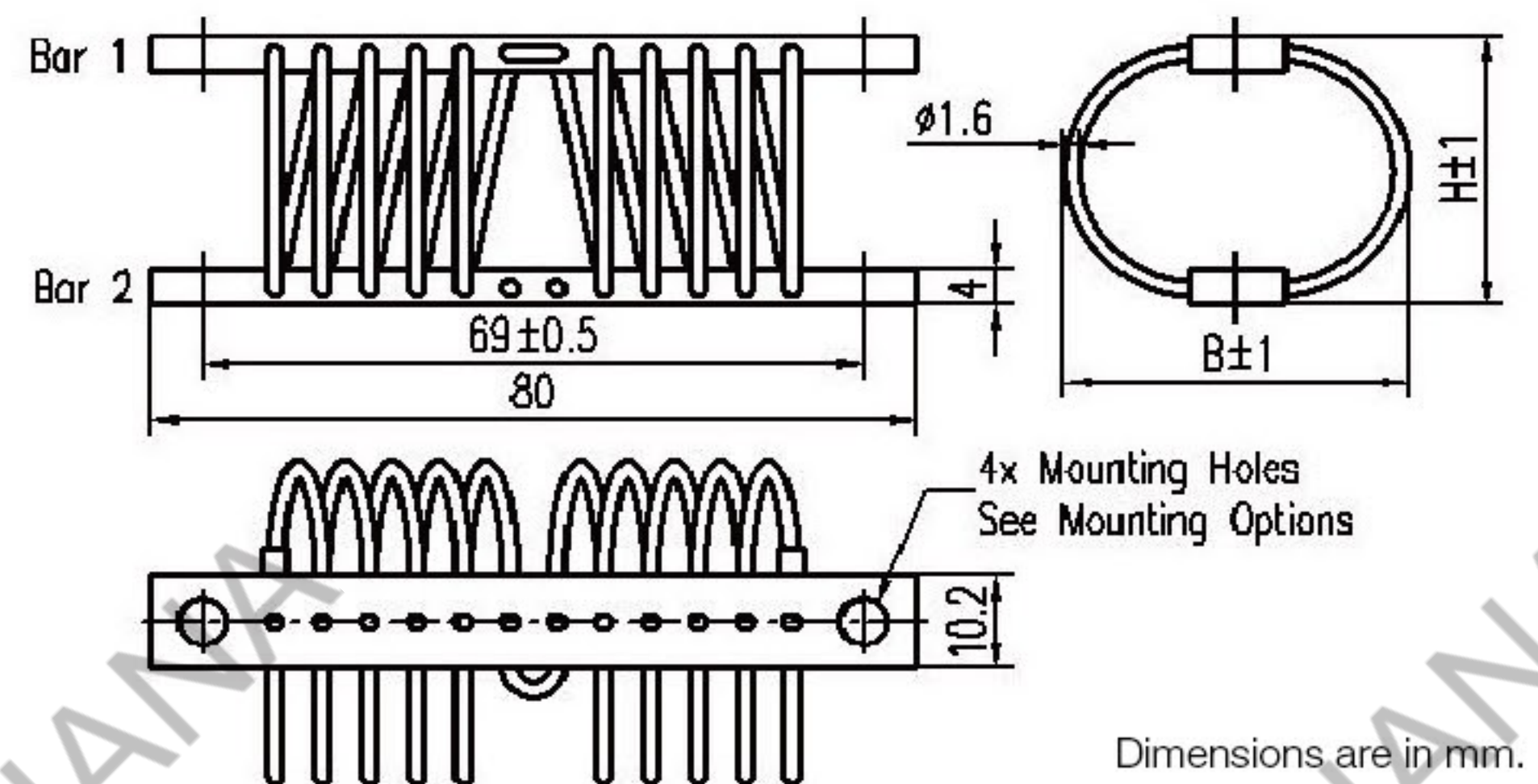
- ◆ All-metal multidirectional anti-vibration/shock mounts.
- ◆ Excellent reliability and long lifespan.
- ◆ High damping.
- ◆ Corrosion resistant.
- ◆ Wide temperature range: -180°C ~ +300°C.
- ◆ Great adaptability/versatility.
- ◆ Customized design can be done.

Materials

Cable: Stainless steel.
 Retainer bars: Aluminum alloy (Anodized or Alodine).
 Other materials on request.

Model	Height (mm)	Width (mm)	Weight (kg)
GGTC1.6-18/27/10L	18	27	0.030
GGTC1.6-20/28/10L	20	28	0.031
GGTC1.6-25/30/10L	25	30	0.032
GGTC1.6-28/33/10L	28	33	0.034
GGTC1.6-30/36/10L	30	36	0.035
GGTC1.6-33/38/10L	33	38	0.036

Model Description

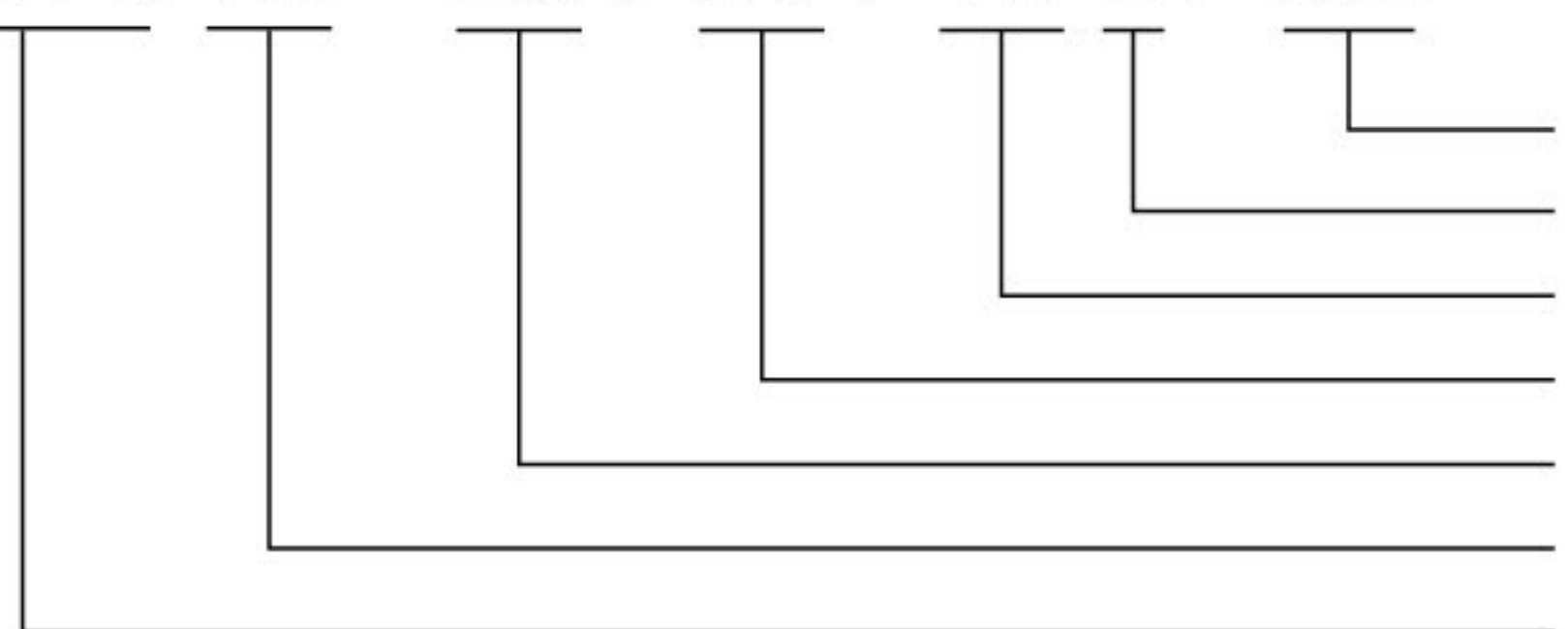


Mounting Holes	Bar 1		
	2xM4	2xØ5	2xØ5 Ø8.6x90°
Bar 2	2xM4	MM	
	2xØ5	MB	BB
	2xØ5 Ø8.6x90°	MC	BC CC

Note:
Standard Mounting: MM

Order Example

GGTC1.6 - 25 / 30 / 10 L / MB



- Mounting Option: MM is default option.
- Retainer Bars Material: Aluminum Alloy (Stainless Steel is available).
- Number of Cable Loops: 10
- Width: 30mm
- Height: 25mm
- Wire Rope Diameter: 1.6mm
- Group: GGTC