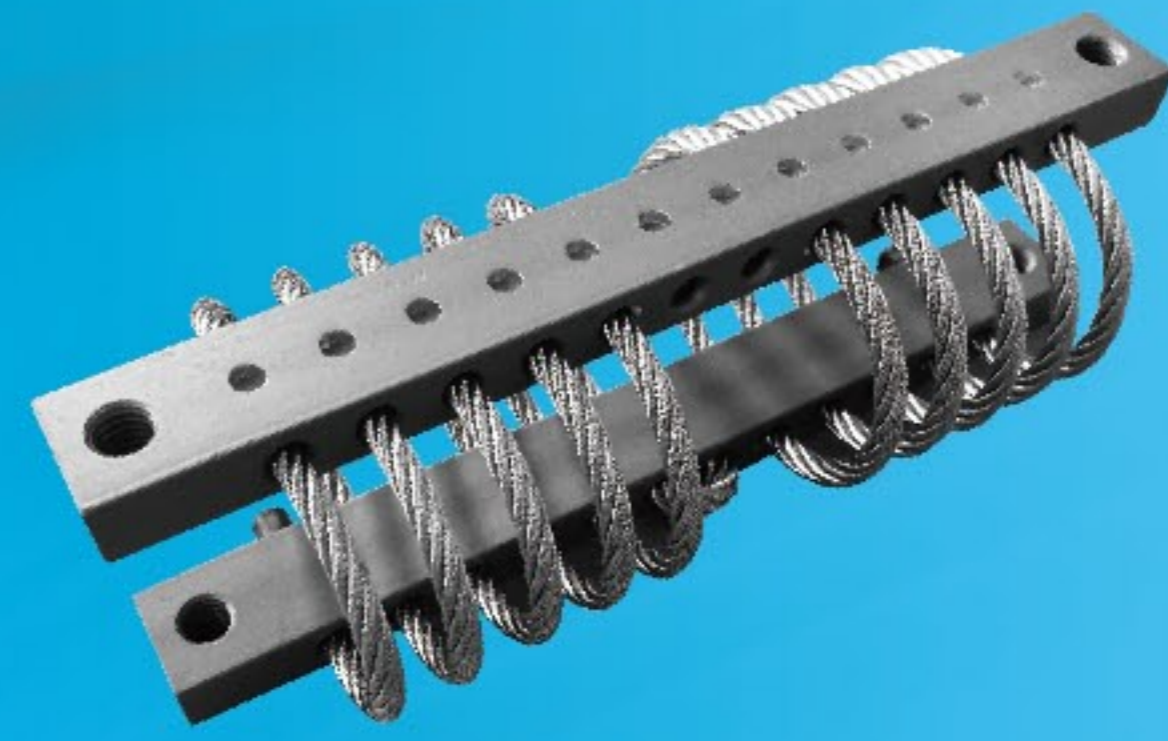


GGTC03 Series



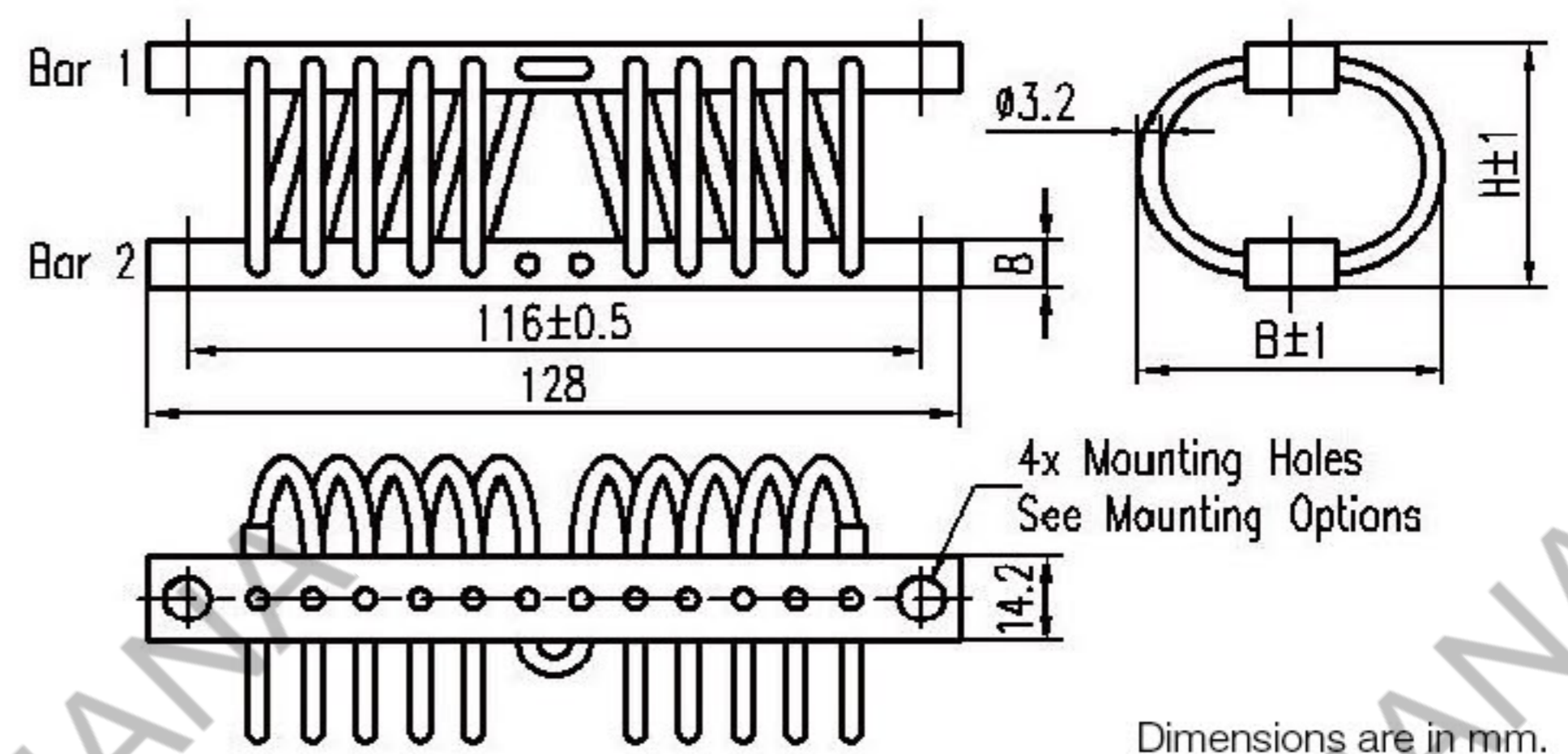
- ◆ All-metal multidirectional anti-vibration/shock mounts.
- ◆ Excellent reliability and long lifespan.
- ◆ High damping.
- ◆ Corrosion resistant.
- ◆ Wide temperature range: $-180^{\circ}\text{C} \sim +300^{\circ}\text{C}$.
- ◆ Great adaptability/versatility.
- ◆ Customized design can be done.

Materials

Cable: Stainless steel.
Retainer bars: Aluminum alloy (Anodized or Alodine).
Other materials on request.

Model	Height (mm)	Width (mm)	Weight (kg)
GGTC3.2-28/36/10L	28	36	0.09
GGTC3.2-30/38/10L	30	38	0.09
GGTC3.2-33/41/10L	33	41	0.10
GGTC3.2-36/43/10L	36	43	0.12
GGTC3.2-38/46/10L	38	46	0.13
GGTC3.2-41/48/10L	41	48	0.13
GGTC3.2-50/54/10L	50	54	0.16
GGTC3.2-60/68/10L	60	68	0.18

Model Description

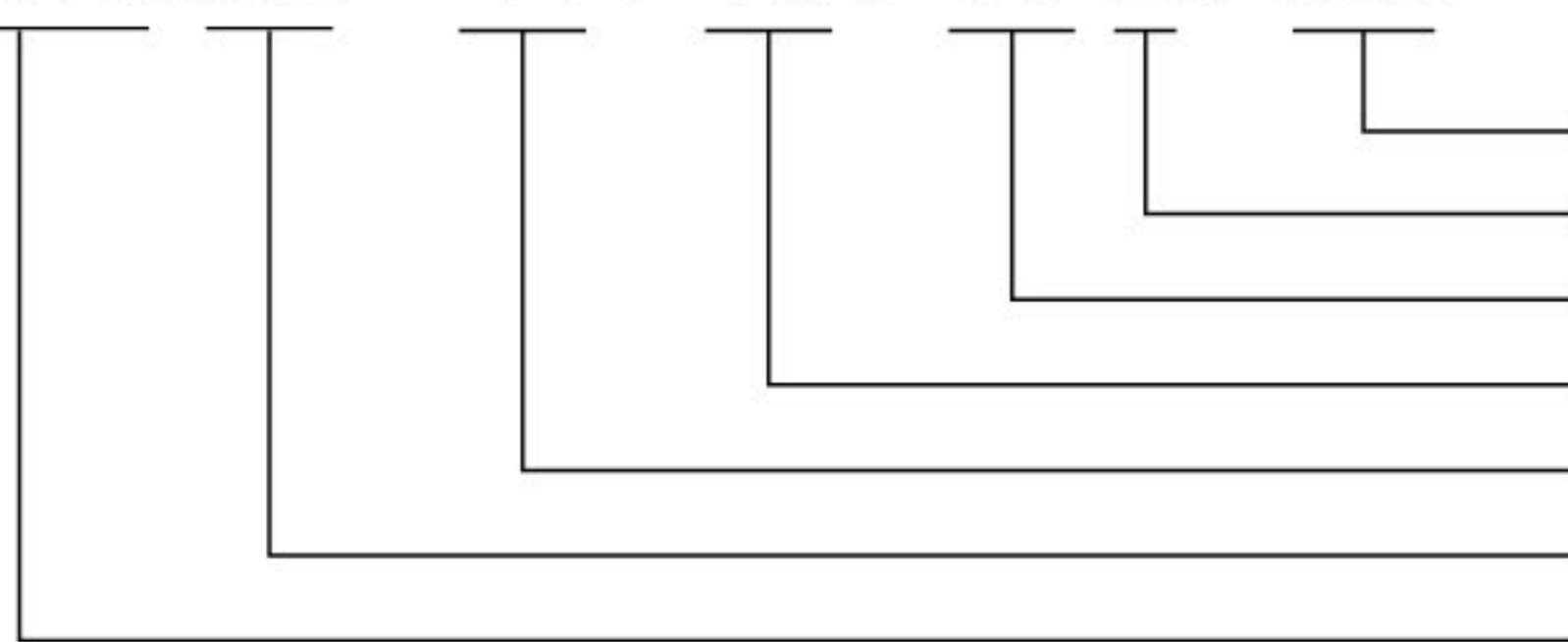


Mounting Options			
	Thread MM Thread	Thru BB Thru	C'sink CC C'sink
	Thread MB Thru	Thread MC C'sink	Thru BC C'sink
Mounting Holes	2xM6	2x $\phi 7$	2x $\phi 7$ $\phi 11 \times 90^{\circ}$
Bar 2	2xM6	MM	
	2x $\phi 7$	MB	BB
Bar 1	2x $\phi 7$ $\phi 11 \times 90^{\circ}$	MC	BC CC

Note:
Standard Mounting: MM

Order Example

GGTC3.2 - 41 / 48 / 10 L / MB



- Mounting Option: MM is default option.
- Retainer Bars Material: Aluminum Alloy (Stainless Steel is available).
- Number of Cable Loops: 10
- Width: 48mm
- Height: 41mm
- Wire Rope Diameter: 3.2mm
- Group: GGTC