

GGTC04 Series



- ◆ All-metal multidirectional anti-vibration/shock mounts.
- ◆ Excellent reliability and long lifespan.
- ◆ High damping.
- ◆ Corrosion resistant.
- ◆ Wide temperature range: $-180^{\circ}\text{C} \sim +300^{\circ}\text{C}$.
- ◆ Great adaptability/versatility.
- ◆ Customized design can be done.

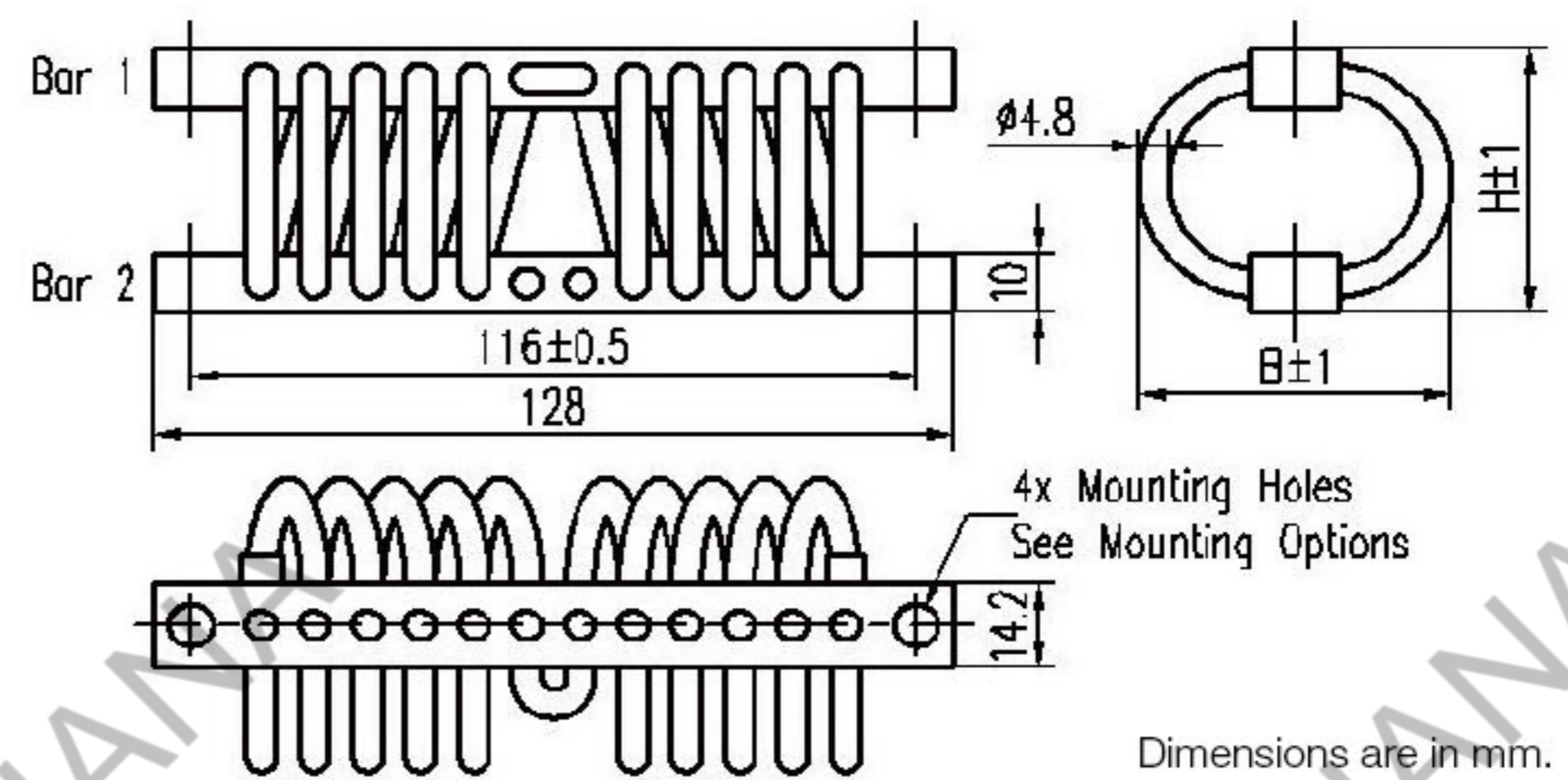
Materials

Cable: Stainless steel.

Retainer bars: Aluminum alloy (Anodized or Alodine).

Other materials on request.

Model Description

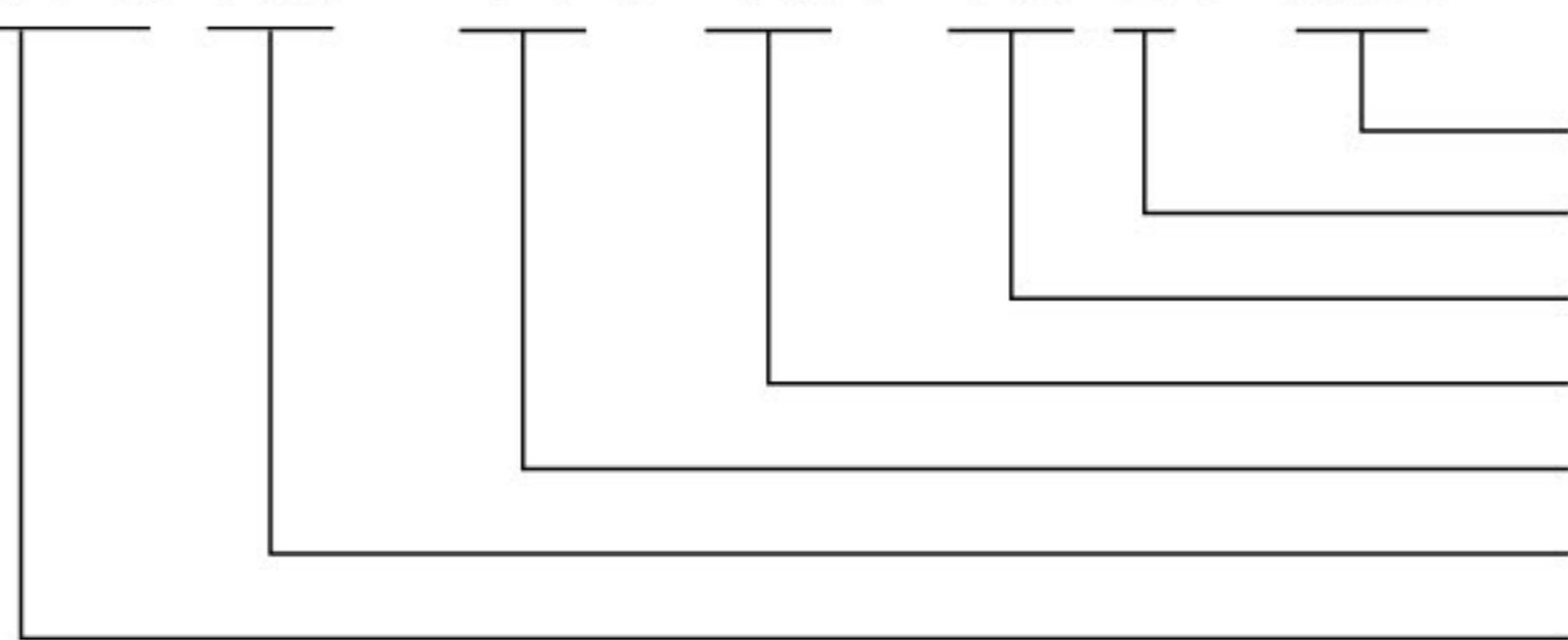


Model	Height (mm)	Width (mm)	Weight (kg)
GGTC4.8-34/42/10L	34	42	0.21
GGTC4.8-38/43/10L	38	43	0.22
GGTC4.8-41/46/10L	41	46	0.22
GGTC4.8-45/50/10L	45	50	0.24
GGTC4.8-50/58/10L	50	58	0.25
GGTC4.8-57/63/10L	57	63	0.25

Mounting Options				
	Thread MM Thru	Thru BB Thru	C'sink CC C'sink	
	Thread MB Thru	Thread MC C'sink	Thru BC C'sink	
Mounting Holes	2xM6	2xφ7	2xφ7 φ1x90°	Note: Standard Mounting: MM
Bar 2	2xM6	MM		
	2xφ7	MB	BB	
	2xφ7 φ1x90°	MC	BC CC	

Order Example

GGTC4.8 - 41 / 46 / 10 L / MB



Mounting Option: MM is default option.

Retainer Bars Material: Aluminum Alloy (Stainless Steel is available).

Number of Cable Loops: 10

Width: 46mm

Height: 41mm

Wire Rope Diameter: 4.8mm

Group: GGTC